



INSTALLATION AND OPERATION MANUAL

ENGLISH | FRANÇAIS | ESPAÑOL



Jandy Pro Series VS PlusHP Pumps Models VSPHP270JEP & VSPHP270AUT



⚠ WARNING

FOR YOUR SAFETY - This product must be installed and serviced by a contractor who is licensed and qualified in pool equipment by the jurisdiction in which the product will be installed where such state or local requirements exist. The maintainer must be a professional with sufficient experience in pool equipment installation and maintenance so that all of the instructions in this manual can be followed exactly. Before installing this product, read and follow all warning notices and instructions that accompany this product. Failure to follow warning notices and instructions may result in property damage, personal injury, or death. Improper installation and/or operation will void the warranty.



Improper installation and/or operation can create unwanted electrical hazard which can cause serious injury, property damage, or death.

ATTENTION INSTALLER - This manual contains important information about the installation, operation and safe use of this product. This information should be given to the owner/operator of this equipment.

TABLE OF CONTENTS

Section 1. Important Safety Instructions	3	3.2.6 Auxiliary Load Operation Characteristics	11
1.1 Safety Instructions	3	3.2.6.1 Contact Closure.....	11
1.2 Pool Pump Suction Entrapment Prevention Guidelines.....	5	3.2.6.2 Contact Opening	12
Section 2. General Description	6	Section 4. Operation.....	12
2.1 Introduction	6	4.1 Remove Pump Lid	12
2.2 Description.....	6	4.2 Conduct Pressure Test	13
2.3 Preparation	6	4.3 Start-up.....	13
Section 3. Installation.....	6	Section 5. Maintenance.....	14
3.1 Plumbing.....	6	5.1 Routine Maintenance.....	14
3.1.1 Pump Location.....	6	5.2 Winterizing the Pump.....	14
3.1.2 Pipe Sizing.....	7	Section 6. Troubleshooting and Repair.....	15
3.1.3 Installation Recommendations.....	7	Section 7. Product Specifications and Technical Data	17
3.2 Electrical Installation	8	7.1 Replacement Parts List.....	17
3.2.1 Voltage Checks.....	8	7.2 Exploded View	17
3.2.2 Bonding and Grounding	8	7.3 Performance Curves.....	18
3.2.3 Electrical Wiring	9	7.4 Physical and Operational Specifications.....	18
3.2.4 Controller Options	9	7.4.1 Pump Specifications	18
3.2.4.1 Install with AquaLink® controller.....	9		
3.2.4.2 Install with JEP-R variable-speed controller	10		
3.2.4.3 Pump Dip Switch Settings	10		
3.2.5 Auxiliary Load Operation.....	11		
3.2.5.1 Auxiliary Load Connection Requirements.....	11		

EQUIPMENT INFORMATION RECORD	
DATE OF INSTALLATION	_____
INSTALLER INFORMATION	_____
INITIAL PRESSURE GAUGE READING (WITH CLEAR FILTER)	_____
PUMP MODEL	HORSEPOWER _____
NOTES:	

Section 1. Important Safety Instructions

READ AND FOLLOW ALL INSTRUCTIONS

1.1 Safety Instructions

All electrical work must be performed by a licensed electrician and conform to all national, state, and local codes. When installing and using this electrical equipment, basic safety precautions should always be followed, including the following:

WARNING

RISK OF SUCTION ENTRAPMENT HAZARD, WHICH, IF NOT AVOIDED, CAN RESULT IN SERIOUS INJURY OR DEATH. Do not block pump suction as this can cause severe injury or death. Do not use this pump for wading pools, shallow pools or spas containing bottom drains, unless the pump is connected to at least two functioning suction outlets. Suction outlet (drain) assemblies and covers must be certified to the latest published version of ANSI®/ASME® A112.19.8, or its successor standard, ANSI/APSP-16.

WARNING

To reduce the risk of injury, do not permit children to use this product.

WARNING

To reduce the risk of property damage or injury, do not attempt to change the backwash (multiport, slide, or full flow) valve position with the pump running.

WARNING

Zodiac® pumps are powered by a high voltage electric motor and must be installed by a licensed or certified electrician or a qualified swimming pool service technician.

WARNING

RISK OF ELECTRIC SHOCK, FIRE, PERSONAL INJURY, OR DEATH. Connect only to a branch circuit that is protected by a ground-fault circuit-interrupter (GFCI). Contact a qualified electrician if you cannot verify that the circuit is protected by a GFCI. A GFCI should be provided by the installer and should be tested on a routine basis. To test the GFCI, push the test button. The GFCI should interrupt power. Push the reset button. Power should be restored. If the GFCI fails to operate in this manner, the GFCI is defective. If the GFCI interrupts power to the pump without the test button being pushed, a ground current is flowing, indicating the possibility of electrical shock. Do not use the pump. Disconnect the pump and have the problem corrected by a qualified service representative before using.

Due to the potential risk of fire, electric shock, or injuries to persons, Zodiac Pumps must be installed in accordance with the National Electrical Code® (NEC®), all local electrical and safety codes, and the Occupational Safety and Health Act (OSHA®). Copies of the NEC may be ordered from the National Fire Protection Association (NFPA®) online at www.nfpa.org or call 617-770-3000, or contact your local government inspection agency.

In Canada, Zodiac Pumps must be installed in accordance with the Canadian Electrical Code (CEC).

WARNING

Incorrectly installed equipment may fail, causing severe injury or property damage.

WARNING

- Do not connect the system to an unregulated city water system or other external source of pressurized water producing pressures greater than 35 PSI.
- Trapped air in system can cause the filter lid to be blown off, which can result in death, serious personal injury, or property damage. Be sure all air is out of the system before operating.

⚠ WARNING

To minimize the risk of severe injury or death the filter and/or pump should not be subjected to the piping system pressurization test.

Local codes may require the pool piping system to be subjected to a pressure test. These requirements are generally not intended to apply to the pool equipment such as filters or pumps.

Zodiac® pool equipment is pressure tested at the factory.

However, if the WARNING cannot be followed and pressure testing of the piping system must include the filter and/or pump, **BE SURE TO COMPLY WITH THE FOLLOWING SAFETY INSTRUCTIONS:**

- Check all clamps, bolts, lids, lock rings and system accessories to ensure they are properly installed and secured before testing.
- **RELEASE ALL AIR** in the system before testing.
- Water pressure for test must **NOT EXCEED 35 PSI**.
- Water temperature for test must **NOT EXCEED 100°F (38°C)**.
- Limit test to 24 hours. After test, visually check system to be sure it is ready for operation.

NOTICE: These parameters apply to Zodiac equipment only. For non-Zodiac equipment, consult equipment manufacturer.

⚠ WARNING

Chemical spills and fumes can weaken pool/spa equipment. Corrosion can cause filters and other equipment to fail, resulting in severe injury or property damage. Do not store pool chemicals near your equipment.

⚠ CAUTION

Do not start pump dry! Running the pump dry for any length of time will cause severe damage and will void the warranty.

⚠ CAUTION

This pump is for use with permanently installed pools and may also be used with hot tubs and spas if so marked. Do not use with storable pools. A permanently installed pool is constructed in or on the ground or in a building such that it cannot be readily disassembled for storage. A storable pool is constructed so that it may be readily disassembled for storage and reassembled to its original integrity.

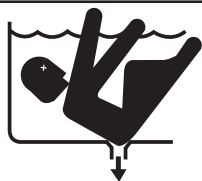
⚠ CAUTION

Do not install within an outdoor enclosure or beneath the skirt of a hot tub or portable spa. The pump requires adequate ventilation to maintain air temperature at less than the maximum ambient temperature rating listed on the motor rating plate.

SAVE THESE INSTRUCTIONS

1.2 Pool Pump Suction Entrapment Prevention Guidelines

⚠ WARNING



SUCTION HAZARD. Can cause serious injury or death. Do not use this pump for wading pools, shallow pools or spas containing bottom drains, unless the pump is connected to at least two (2) functioning suction outlets.

⚠ WARNING

Pump suction is hazardous and can trap and drown or disembowel bathers. Do not use or operate swimming pools, spa, or hot tubs if a suction outlet cover is missing, broken, or loose. The following guidelines provide information for pump installation that minimizes the risk of injury to users of pools, spas, and hot tubs:

- **Entrapment Protection** - The pump suction system must provide protection against the hazards of suction entrapment.
- **Suction Outlet Covers** - All suction outlets must have correctly installed, screw-fastened covers in place. All suction outlet (drain) assemblies and their covers must be properly maintained. Suction outlets (drain) assemblies and their covers must be listed/certified to the latest version of ANSI®/ASME® A112.19.8 or its successor standard, ANSI/APSP-16. They must be replaced if cracked, broken, or missing. Do not use either the pool or the spa until repair or replacement is performed.
- **Number of Suction Outlets Per Pump** - Provide at least two (2) hydraulically-balanced main drains, with covers, as suction outlets for each circulating pump suction line. The centers of the main drains (suction outlets) on any one (1) suction line must be at least three (3) feet apart, center to center. See Figure 1.
- The system **must** be built to include at least two (2) suction outlets (drains) connected to the pump whenever the pump is running. However, if two (2) main drains run into a single suction line, the single suction line may be equipped with a valve that will shut off both main drains from the pump. The system shall be constructed such that it shall not allow for separate or independent shutoff or isolation of each drain. See “Figure 2. Typical Piping Installation”.
- More than one (1) pump can be connected to a single suction line as long as the requirements above are met.
- **Water Velocity** - The maximum water velocity through the suction outlet assembly and its cover for any suction outlet must not exceed the suction fitting assembly and its cover’s maximum design flow rate. The suction outlet (drain) assembly and its cover must comply with the latest version of ANSI/ASME A112.19.8, the standard for Suction Fittings For Use in Swimming Pools, Wading Pools, Spas, and Hot Tubs, or its successor standard, ANSI/APSP-16.
- If 100% of the pump’s flow comes from the main drain system, the maximum water velocity in the pump suction hydraulic system must be six (6) feet per second or less, even if one (1) main drain (suction outlet) is completely blocked. The flow through the remaining main drain(s) must comply with the latest version of ANSI/ASME A112.19.8, the standard for Suction Fittings For Use in Swimming Pools, Wading Pools, Spas, and Hot Tubs, or its successor standard, ANSI/APSP-16.
- **Testing and Certification** - Suction outlet assemblies and their covers must have been tested by a nationally recognized testing laboratory and found to comply with the latest version of ANSI/ASME A112.19.8, the standard for Suction Fittings For Use in Swimming Pools, Wading Pools, Spas, and Hot Tubs, or its successor standard, ANSI/APSP-16.
- **Fittings** - Fittings restrict flow; for best efficiency use fewest possible fittings (but at least two (2) suction outlets).
- Avoid fittings which could cause an air trap.
- Pool cleaner suction fittings must conform to applicable International Association of Plumbing and Mechanical Officials (IAPMO) standards.

Section 2. General Description

2.1 Introduction

This manual contains information for the proper installation, operation, and maintenance of Jandy Pro Series VS Plus HP pumps. Procedures in this manual must be followed exactly. To obtain additional copies of this manual, contact Zodiac Pool Systems, Inc. at 1.800.822.7933 or visit www.zodiacpoolsystems.com.

2.2 Description

The VS Plus HP is a variable-speed pump that can run from 600-3450 RPM. When connected to the JEP-R controller, up to eight (8) speed settings may be programmed and recalled. This allows you to select the most appropriate speed for your application. Even more versatile programming is possible when you use an AquaLink® RS, AquaLink PDA, or AquaLink Z4 controller.

The pump is driven by a variable speed ECM (Electronically Commutated Motor) directly attached to the pump impeller which forces water flow. The rate variability allows for optimal flow during various pump cycles. As a result, the energy efficiency of the pump is maximized which means cost savings to the pool owner while also helping to save the environment.

2.3 Preparation

1. Check the carton for damage. Open the carton and check for concealed damage, such as cracks, dents, or a bent base. If you find damage, contact the shipper or the distributor where the pump was purchased.
2. Inspect the contents of the carton and verify that all parts are included. See “Figure 1. Carton Contents”.

Section 3. Installation

3.1 Plumbing

3.1.1 Pump Location

1. Zodiac Pool Systems, Inc. recommends installing the pump no more than one (1) foot (30 cm) above water level. The pump should not be installed more than five (5) feet above the water level of the pool. It is recommended that a check valve be installed when pump is installed more than 3 feet above water level.

NOTE The pump is NSF-certified for priming at heights up to 10 ft. above the water level. However, to achieve better self-priming, install the pump as close as possible to the water level of the pool.

2. If the pump is located below water level, isolation valves must be installed on both the suction and return lines to prevent pool water back flow during routine or required servicing.

⚠ WARNING

A check valve can interfere with the proper operation of certain Suction Vacuum Release System (SVRS) products. To avoid possible entrapment hazard, serious injury, or death, make sure to review the operation/owners manual of your particular SVRS product before installing the check valve.

NOTE When the pool equipment is located below the pool surface a leak can result in large scale water loss or flooding. Zodiac Pool Systems, Inc., cannot be responsible for such water loss, flooding or damage caused by either occurrence.

3. Install the pump such that any disconnecting means and/or junction boxes for power connection are within sight of the pump and at least five (5) feet horizontally from the edge of the pool and/or spa.

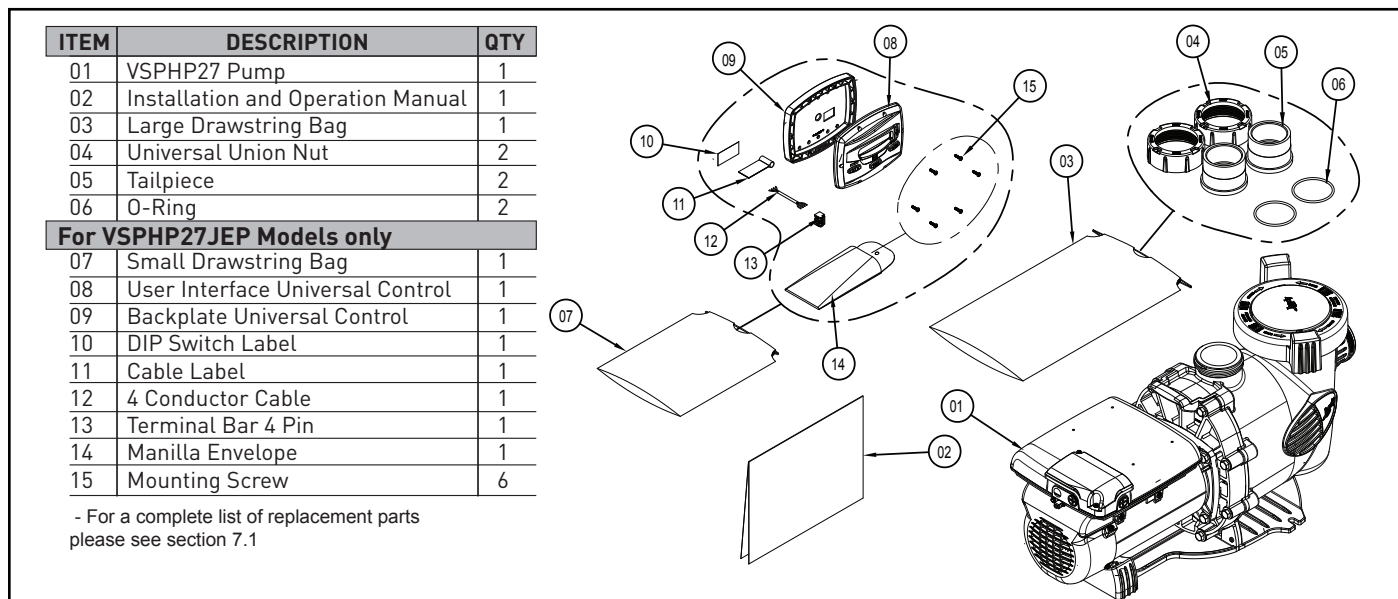


Figure 1. Carton Contents

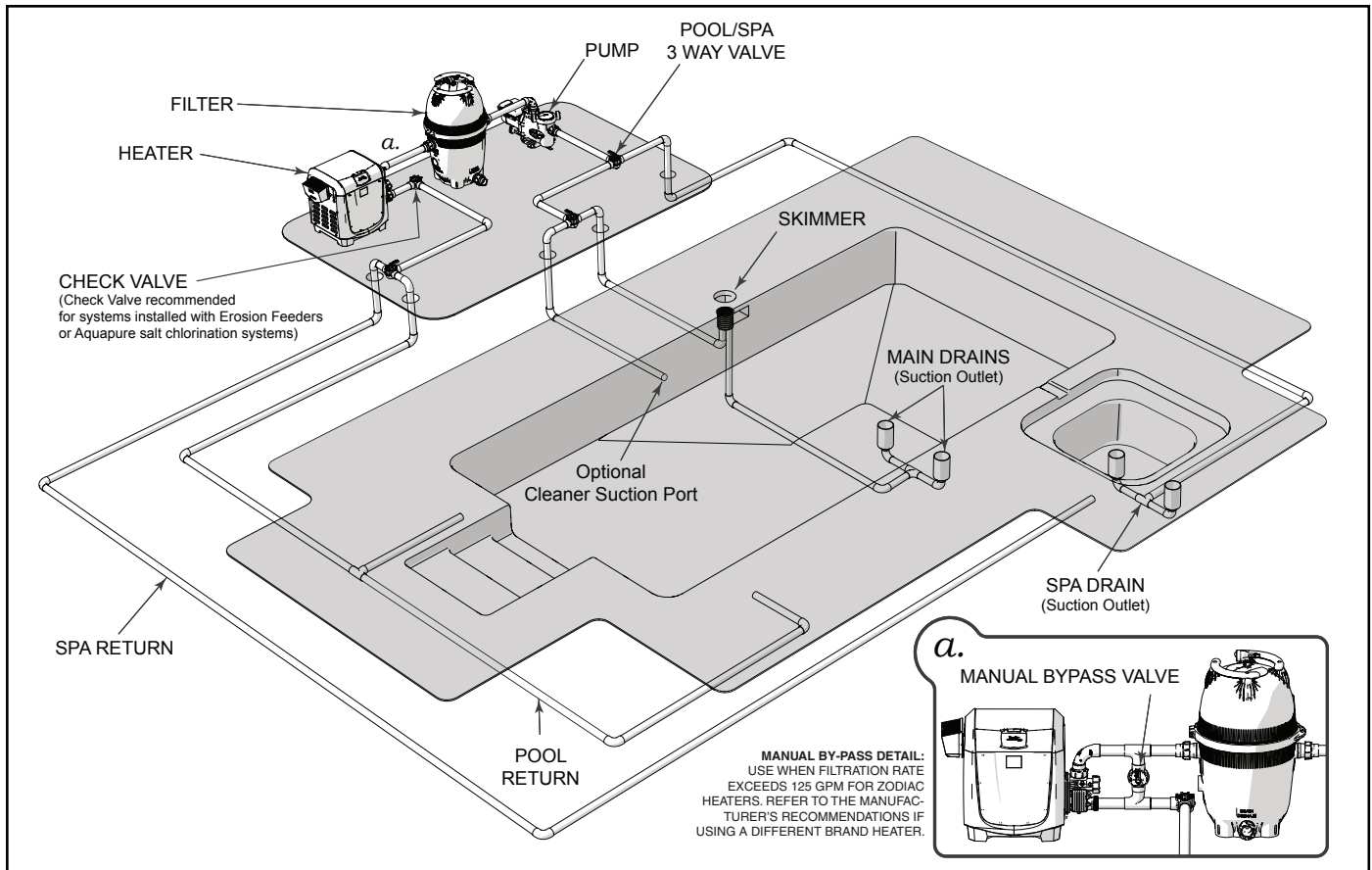


Figure 2. Typical Piping Installation

4. Choose a location that will minimize turns in the piping.

NOTE In Canada, the minimum distance maintained from the edge of the pool and/or spa as noted above must be 3 meters (10 feet), as required by the Canadian Electrical Code (CEC, CSA C22.1).

5. The pump must be placed on a solid foundation that will not vibrate.

NOTE: To further reduce the possibility of vibration noise, bolt the pump to the foundation, or place it on a rubber mat.

6. The pump foundation must have adequate drainage to prevent the motor from getting wet.
7. Protect the pump from the rain and sun.
8. Proper ventilation is required for the pump to operate normally. Motor generated heat must be removed by adequate air flow.
9. Provide access for future service by leaving a clear area around the pump. Allow plenty of space above the pump to remove the lid and basket.
10. If the equipment is under cover, provide adequate lighting.

3.1.2 Pipe Sizing

If pump is located within 50 feet (15 m) of the pool, the recommended minimum pipe size for suction and

discharge is 2.5 inches (64 mm). For lengths greater than 50 feet increase the pipe size according to “Table 1. Pipe Sizing for Schedule 40 PVC”.

3.1.3 Installation Recommendations

1. To help prevent difficulty in priming, install the suction pipe without high points (above inlet of pump, or inverted “U”s, commonly referred to in plumbing as “airlocks”) that can trap air.
2. For installations of equipment up to 100 feet (30 m) from the water, refer to “Table 1. Pipe Sizing for Schedule 40 PVC”, For installations of equipment more than 100 feet (30 m) from the water, the recommended pipe size must be increased to the next size.

Table 1. Pipe Sizing for Schedule 40 PVC

Pipe Size	Maximum Flow Suction (6 feet per second)	Maximum Flow Discharge (8 feet per second)
1½" (38 mm)	37 GPM (140 LPM)	50 GPM (189 LPM)
2" (51 mm)	62 GPM (235 LPM)	85 GPM (322 LPM)
2½" (64 mm)	88 GPM (333 LPM)	120 GPM (454 LPM)
3" (76 mm)	136 GPM (515 LPM)	184 GPM (697 LPM)
4" (102 mm)	234 GPM (886 LPM)	313 GPM (1185 LPM)

3. The pump comes equipped with unions on both the suction and discharge ports. This feature simplifies installation and service and eliminates the possibility of leaks at threaded adapters.

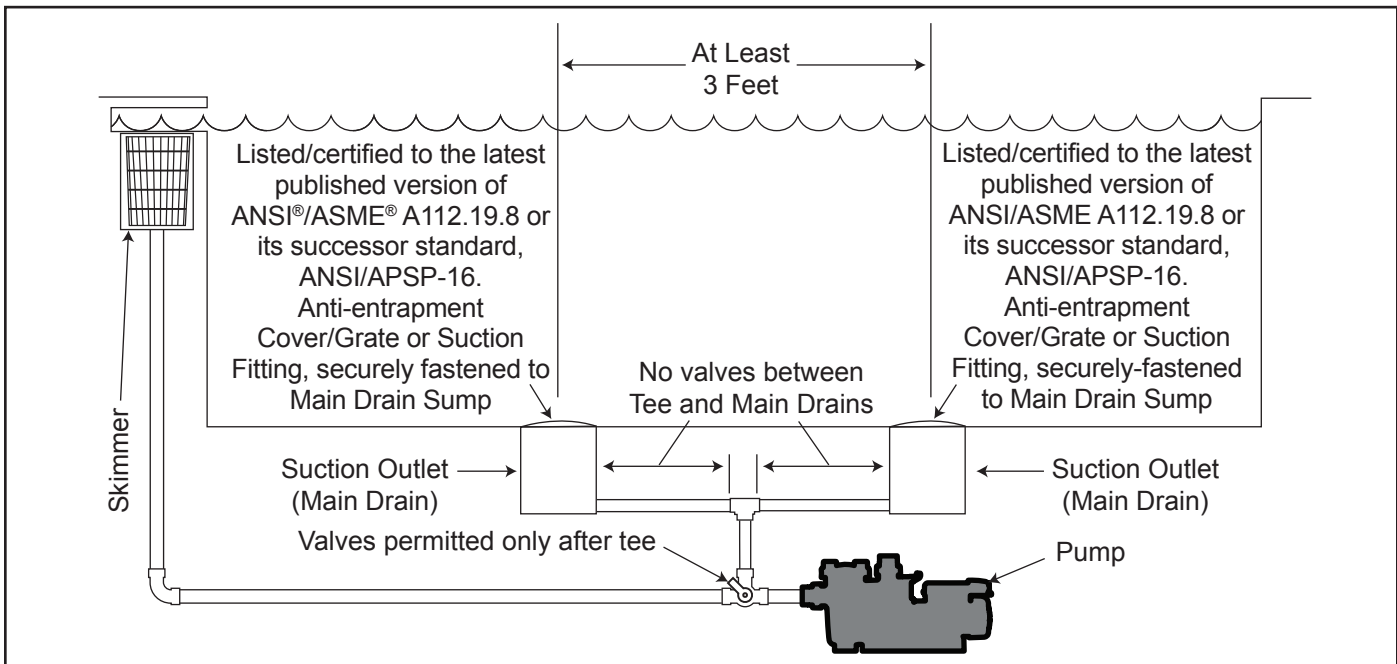


Figure 3. Number of Suction Outlets Per Pump

- The pump must be connected to at least two (2) hydraulically-balanced main drains for each pool pump suction line. Each drain (suction outlet) assembly must be equipped with covers and must be listed or certified to the latest published edition of ANSI/ASME A112.19.8, or its successor standard, ANSI/APSP-16. The suction fittings of the main drains must be at least three (3) feet (1 m) apart or at different planes. The suction fittings can be a drain and skimmer, two (2) drains, two (2) skimmers, or a skimmer with an equalizer line installed. Check the local codes for proper installation.

NOTE To prevent entrapment, the system must be built so it cannot operate with the pump drawing water from only one (1) main drain. At least two (2) main drains must be connected to the pump when it is in operation. If two (2) main drains run into a single suction line, the single suction line may be equipped with a valve that will shut off both main drains from the pump.

- The piping must be well supported and not forced together where it will experience constant stress.
- Always use properly sized valves. Jandy Pro Series Diverter Valves and Ball Valves typically have the best flow capabilities.
- Use the fewest fittings possible.

NOTE If more than ten (10) suction fittings are needed, the pipe size must be increased.

- Every new installation must be pressure tested according to local codes.

3.2 Electrical Installation

3.2.1 Voltage Checks

The correct voltage, as specified on the pump data plate, is necessary for proper performance and long motor life. Incorrect voltage will decrease the pump's ability to perform and can cause overheating, reduce motor life, and result in higher electric utility cost.

It is the responsibility of the electrical installer to provide the correct operating voltage to the pump by ensuring proper circuit sizes and wire sizes for the specific application.

The National Electrical Code® (NEC®, NFPA-70) requires all pool pump circuits be protected with a Ground Fault Interrupter (GFCI). Therefore, it is also the responsibility of the electrical installer to ensure that the pump circuit is in compliance with this and all other applicable requirements of the National Electrical Code (NEC) and any other applicable installation codes.

⚠ CAUTION

Failure to provide data plate voltage (within 10%) during operation will cause the motor to overheat and void the warranty.

3.2.2 Bonding and Grounding

- In addition to being properly grounded and in accordance with the requirements of the National Electrical Code (NEC), or in Canada the Canadian Electrical Code (CEC), the pump motor must be bonded to all metal parts of the swimming pool, spa or hot tub structure and to all electrical components and equipment associated with the pool/spa water circulation system.

- The bonding must be accomplished by using a solid copper conductor, No. 8 AWG or larger. In Canada No. 6 AWG or larger must be used. Bond the motor using the external bonding lug provided on the motor frame.

⚠ WARNING

Always disconnect the power source before working on a motor or it's connected load.

⚠ WARNING

Make sure that the control switch, time clock, or control system is installed in an accessible location, so that in the event of an equipment failure or a loose plumbing fitting, the equipment can be turned off. This location must not be in the same area as the pool pump, filter, and other equipment.

⚠ CAUTION

The pump must be permanently connected to a dedicated electrical circuit. No other equipment, lights, appliances or outlets may be connected to the pump circuit, with the exception of devices that may be required to operate simultaneously with the pump, such as a chlorinating device or heater.

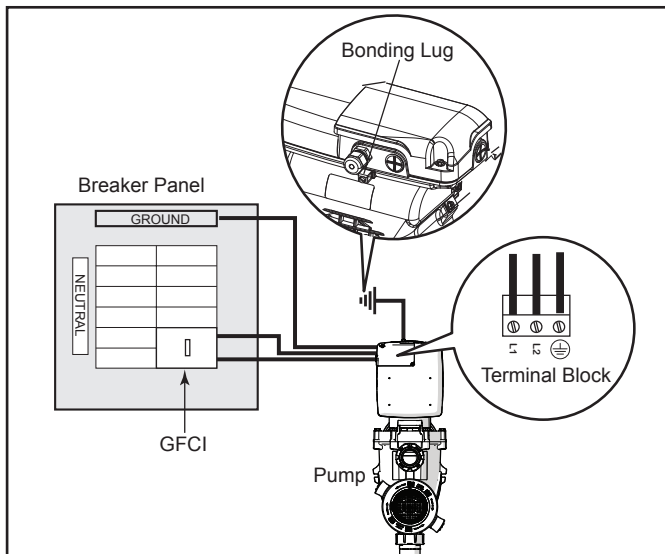


Figure 4. Bonding the Motor

3.2.3 Electrical Wiring

- The pump motor must be securely and adequately grounded using the green screw provided. Ground before attempting to connect to an electrical power supply. **Do not ground to a gas supply line.**
- Wire size must be adequate to minimize a voltage drop during the start-up and operation of the pump.
- Insulate all connections carefully to prevent grounding or short-circuits. Sharp edges on terminals require extra protection. For safety, and to prevent entry of contaminants, reinstall all conduit and terminal box covers. **Do not force connections into the conduit box.**

3.2.4 Controller Options

The pump can be operated by one (1) of four (4) controllers, JEP-R variable-speed controller, AquaLink RS, AquaLink PDA or AquaLink Z4. The pump communicates with the controllers via a four-wire RS-485 interface.

NOTE Since the pump is operated by an external controller the pump will not be turned on until it is turned on with a controller.

3.2.4.1 Install with AquaLink® controller

The VS PlusHP pump can be operated by the following AquaLink Controllers:

- AquaLink RS (Rev O or later)
- AquaLink PDA (Rev 4.0 or later)
- AquaLink Z4

- Disconnect the high voltage lines or open any breaker to which the pump power is connected.

⚠ WARNING

ELECTRICAL SHOCK HAZARD

Turn off all switches and the main breaker in the variable-speed pump electrical circuit before starting the procedure. Failure to comply may cause a shock hazard resulting in severe personal injury or death.

- Dip switches 1 and 2 need to be in the OFF position. See “Figure 5. Wiring AquaLink RS, PDA or Z4”.
- Select the desired address(es) by setting dip switches 3 and/or 4, as shown in “Table 2. Dip Switch Settings”
- Disconnect the RS-485 cable from the 4-pin header on the pump drive.

NOTE: Do not cut the cable or you will lose the ability to return to the default factory configuration

- Connect the new RS-485 cable from the AquaLink through the available compression fitting and route the 4-conductor cable through the motor drive threaded port closest to the connector. See “Figure 5. Wiring AquaLink RS, PDA or Z4”
- Connect the other end of the cable to an RS-485 connector on the AquaLink RS (or multiplexer interface board), matching wire colors with connector positions See “Figure 5. Wiring AquaLink RS, PDA or Z4”
- Restore power to the pump and verify the operation of the controller.
- Refer to the appropriate manual for set up and operation of the pump:
 - AquaLink RS Manual #6593
 - AquaLink PDA Manual #H0572300
 - AquaLink Z4 Manual #H0386600.

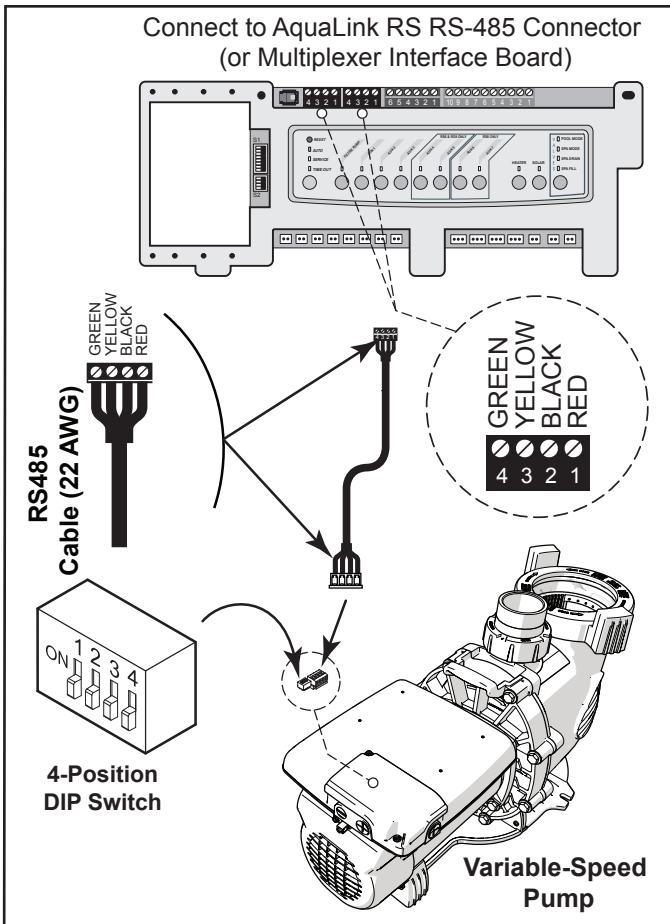


Figure 5. Wiring AquaLink RS, PDA or Z4

3.2.4.2 Install with JEP-R variable-speed controller

IMPORTANT

The installer must TURN ON switches 1 and 2 at the VS Plus HP pump when connected to the variable-speed controller.

1. Disconnect the high voltage lines or open any breaker to which the pump power is connected.

⚠ WARNING

ELECTRICAL SHOCK HAZARD

Turn off all switches and the main breaker in the variable-speed pump electrical circuit before starting the procedure. Failure to comply may cause a shock hazard resulting in severe personal injury or death.

2. Remove the junction box cover and feed the RS-485 cable into the fitting.
3. Unplug the RS-485 connector.
4. Attach the four (4) RS-485 cable wires to the RS-485 connector. Match the wire colors with the positions on the connector: See “Figure 6. Wiring JEP-R VSP Controller”

5. Insert the RS-485 connector back into the junction box.
6. Dip switches 1 and 2 must be in the ON position, and switches 3 and 4 must be in the OFF position. See “Figure 6. Wiring JEP-R VSP Controller”

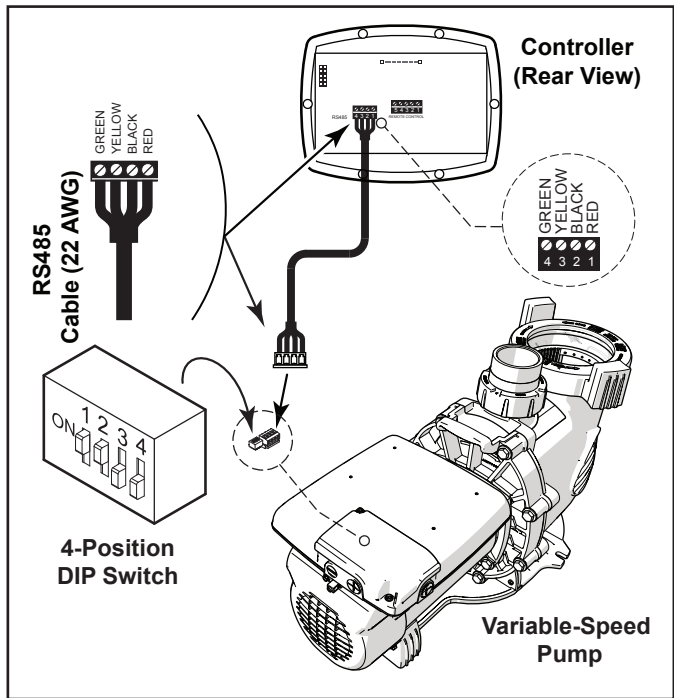


Figure 6. Wiring JEP-R VSP Controller

7. Connect the other end of the cable to the controller. Match the colors of the wires with the appropriate connector positions. See “Figure 6. Wiring JEP-R VSP Controller”
8. Restore power and verify the operation of the controller.
9. Refer to the Variable-Speed Controller Owner’s Manual, H0412200, to operate the pump.

3.2.4.3 Pump Dip Switch Settings

As shown in Figures 5 and 6 the 4 position dip switch serves two (2) functions: it selects the pump address, and it determines what type of controller will be used with the pump.

Table 2. Dip Switch Settings

Switch 1	Switch 2	Controller
OFF	OFF	Factory Default
OFF	OFF	AquaLink® RS, AquaLink PDA, or AquaLink Z4
ON	ON	Variable Speed Controller

Switch 3	Switch 4	Pump Address
OFF	OFF	PUMP 1 (Factory Default)
ON	OFF	PUMP 2
OFF	ON	PUMP 3
ON	ON	PUMP 4

3.2.5 Auxiliary Load Operation

The VS PlusHP is equipped with a terminal bar that provides user access to a built-in Auxiliary Load relay contact. This normally-open, dry contact is activated under certain operating conditions and is primarily intended to be used to control external devices that require system water flow for proper functioning, such as heaters, booster pumps, salt water chlorinators, etc. See Figures 5 and 6 for compartment's location details. An access cover with Phillips-head screw must be removed before proceeding.

3.2.5.1 Auxiliary Load Connection Requirements

⚠ WARNING

ELECTRICAL SHOCK HAZARD

Due to the potential risk of fire, electric shock, or injuries to persons, Zodiac® Pumps must be installed in accordance with the National Electrical Code® (NEC®), all local electrical and safety codes, and the occupational Safety and Health Act (OSHA). Copies of the NEC may be ordered from the National Protection Association, 470 Atlantic Ave., Boston, MA 02210, or from your local government inspection agency.

In Canada, Zodiac Pumps must be installed in accordance with the Canadian Electrical Code (CEC).

The Auxiliary Load relay contacts are rated at 230V/11A RMS. Please ensure the requirements of the equipment to be connected to the Auxiliary Load do not exceed this rating.

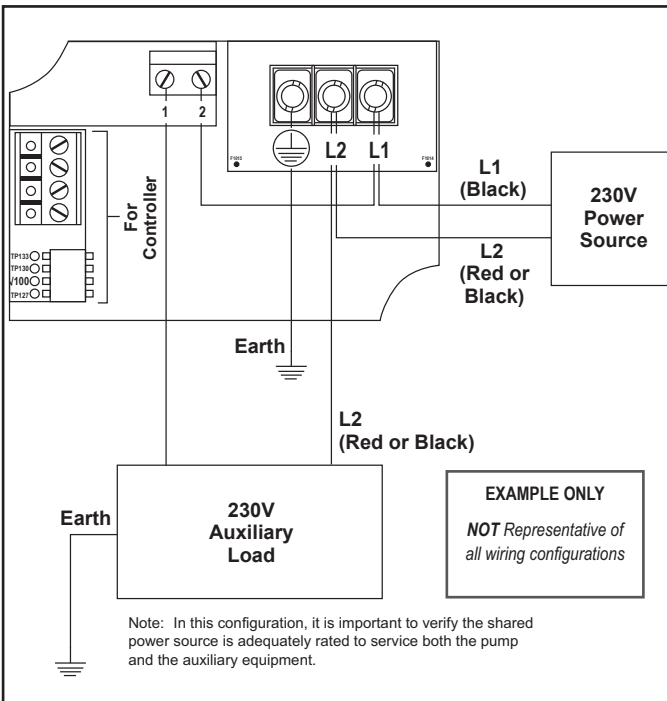


Figure 7. 230V Auxiliary Load, Shared Power Source Wiring Diagram

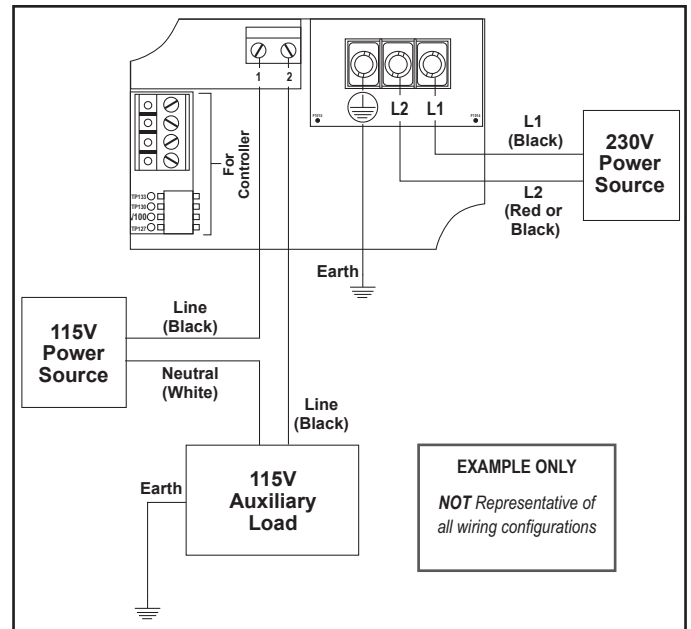


Figure 8. 115V Auxiliary Load, Separate Power Sources Wiring Diagram

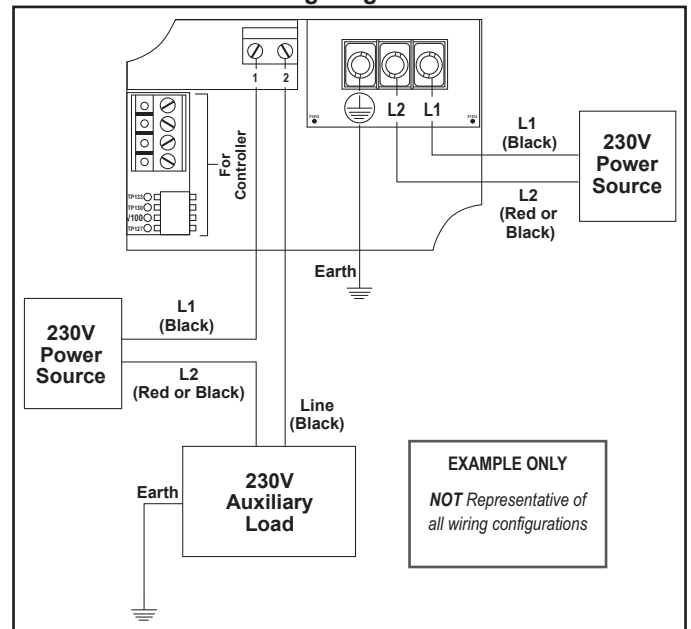


Figure 9. 230V Auxiliary Load, Separate Power Sources Wiring Diagram

3.2.6 Auxiliary Load Operation Characteristics

Auxiliary Load relay contact activation is speed-dependent, and behaves as follows:

3.2.6.1 Contact Closure

From a stopped condition, there is a three-minute delay before the Auxiliary Load contact is closed when the motor speed reaches and maintains a speed of at least 1725 RPM.

From a running condition at below 1725 RPM, there is a five-second delay before the Auxiliary Load contact is closed when the motor speed reaches and maintains a speed of at least 1725 RPM.

3.2.6.2 Contact Opening

If the pump speed is below 1725 RPM, the Auxiliary Load contact is opened. Contact openings are always immediate.

Section 4. Operation

4.1 Remove Pump Lid

1. Make sure that the pump is turned off.
2. Make sure that the switch to the circuit breaker that powers the pump motor is turned off.

⚠ WARNING

ELECTRICAL SHOCK HAZARD

Turn off all switches and the main breaker in the variable-speed pump electrical circuit before starting the procedure. Failure to comply may cause a shock hazard resulting in severe personal injury or death.

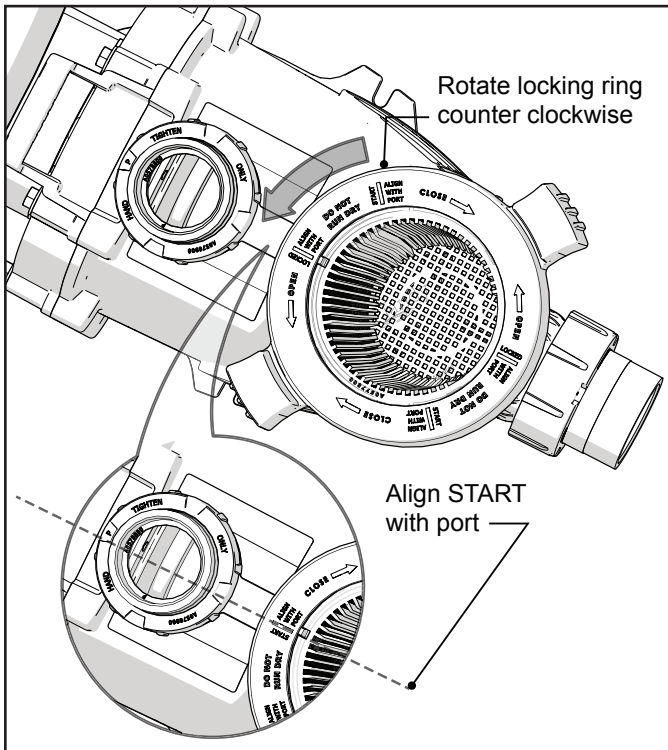


Figure 10. Disengage Lock Ring

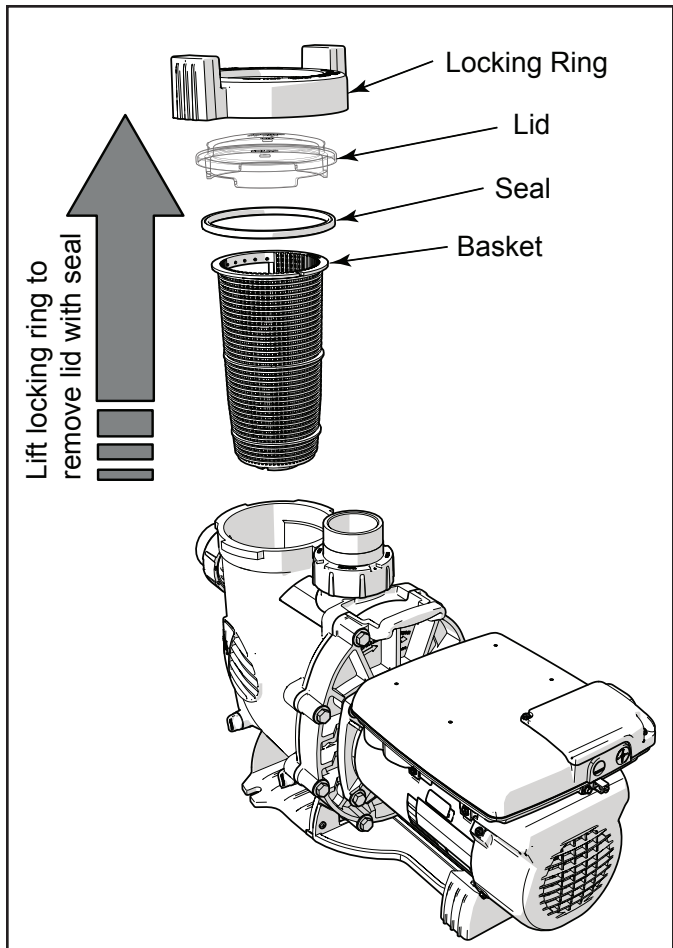


Figure 11. Remove Pump Lid

⚠ WARNING

ELECTRICAL SHOCK HAZARD

Due to the potential risk of fire, electric shock, or injuries to persons, Zodiac® Pumps must be installed in accordance with the National Electrical Code® (NEC®), all local electrical and safety codes, and the occupational Safety and Health Act (OSHA). Copies of the NEC may be ordered from the National Protection Association, 470 Atlantic Ave., Boston, MA 02210, or from your local government inspection agency.

In Canada, Zodiac Pumps must be installed in accordance with the Canadian Electrical Code (CEC).

3. Make sure all necessary isolation valves are closed to prevent pool water from reaching the pump. If the pump is installed below water level, ensure all necessary isolation valves are closed to prevent pool water from reaching the pump.
4. Turn the locking ring counter-clockwise until the 'START' markings align with the ports. See Figure "Figure 10. Disengage Lock Ring"
5. Carefully lift to remove the lid with locking ring.

4.2 Conduct Pressure Test

⚠ WARNING

When pressure testing a system with water, air is often trapped in the system during the filling process. This air will compress when the system is pressurized. Should the system fail, this trapped air can propel debris at a high speed and cause injury. Every effort to remove trapped air must be taken, including opening the bleed valve on the filter and loosening the pump basket lid while filling the pump.

⚠ WARNING

Trapped air in the system can cause the filter lid to be blown off, which can result in death, serious injury, or property damage. Be sure all air is properly purged out of the system before operating. **DO NOT USE COMPRESSED AIR TO PRESSURE TEST OR CHECK FOR LEAKS.**

⚠ WARNING

ELECTRICAL SHOCK HAZARD

Do not pressure test above 35 PSI. Pressure testing must be done by a trained pool professional. Circulation equipment that is not tested properly might fail, which could result in severe injury or property damage.

⚠ WARNING

When pressure testing the system with water, it is very important to make sure that the pump basket lid is completely secure.

1. Fill the system with water, being careful to eliminate trapped air.
2. Pressurize the system with water to no more than **35 PSI**.
3. Close the valve to trap pressurized water in the system.
4. Carefully observe the system for leaks and/or pressure decay.

4.3 Start-up

⚠ CAUTION

Never run the pump without water. Running the pump "dry" for any length of time can cause severe damage to both the pump and motor and will void the warranty.

If this is a new pool installation, make sure all piping is clear of construction debris and has been properly pressure tested. Check the filter for proper installation, verifying that all connections and clamps are secure according to the manufacturer's recommendations.

⚠ WARNING

To avoid risk of property damage, severe personal injury or death, verify that all power is turned off before starting this procedure.

1. Release all pressure from the system and open the filter pressure release valve.

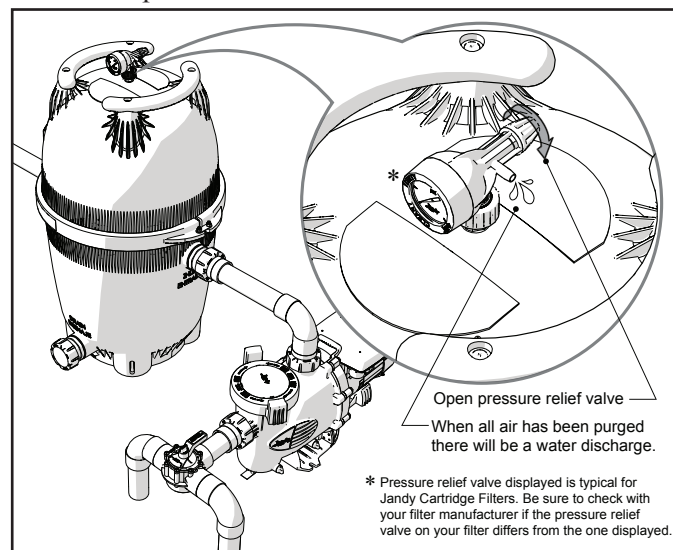


Figure 12. Purge Air from system

2. Take one of the following actions:
 - a. If the pump is located below the water level of the pool, open the filter pressure release valve to prime the pump with water.
 - b. If the pump is located above the water level, remove the lid and fill the basket with water before starting the pump.
3. Prior to replacing the lid, check for debris around the lid o-ring seat. Debris around the lid o-ring seat will cause air to leak into the system, and make it difficult to prime the pump.
4. **Hand-tighten** the lid to make an air tight seal. **Do not use any tools to tighten the lid: hand-tighten only.** Ensure that the lid is secure. Make sure all valves are open and the unions are tight.
5. Restore power to the pump and then turn it on.
6. Once all the air has left the filter, close the filter pressure release valve.
7. The pump should prime. The time it takes to prime will depend on the elevation and length of pipe used on the suction supply pipe. If the pump does not prime and all the instructions to this point have been followed, check for a suction leak. If there is no leak, repeat Steps 2 through 7.
8. For technical assistance, call Zodiac® Technical Support at 1.800.822.7933.

Section 5. Maintenance

5.1 Routine Maintenance

⚠ CAUTION

To avoid damage to the plastics, do not use lubricant or sealant on the o-ring. Only soapy water should be used to install and lubricate the o-ring.

Inspect the pump basket for debris by looking through the clear pump lid. As debris accumulates, it will begin to block the flow of water through the pump. Keep the basket clean to improve the performance of the pump.

1. Turn off the power to the pump. If the pump is located below the water level, close the isolation valves on the suction and discharge sides of the pump to prevent backflow of water.
2. Turn the lid's locking ring counter-clockwise until 'START' aligns with the ports. Carefully remove the lid.

⚠ CAUTION

A misaligned basket will cause the lid to be improperly seated, allowing an air leak, which could result in pump damage.

3. Lift the basket out of the pump. Dispose of all debris and thoroughly clean the basket, making sure all the holes are open. Using a garden hose, spray the basket from the outside to help clear the holes. Remove any remaining debris by hand.
4. Replace the basket in the pump by aligning the open section of the basket with the inlet pipe. If aligned properly, the basket will drop easily into place. **Do not force it into place.**
5. Remove the lid o-ring and remove debris around the lid o-ring seat, as this will cause air leaks into the system. Clean the lid o-ring and replace it.

NOTE Make sure the lid seal is correctly oriented.

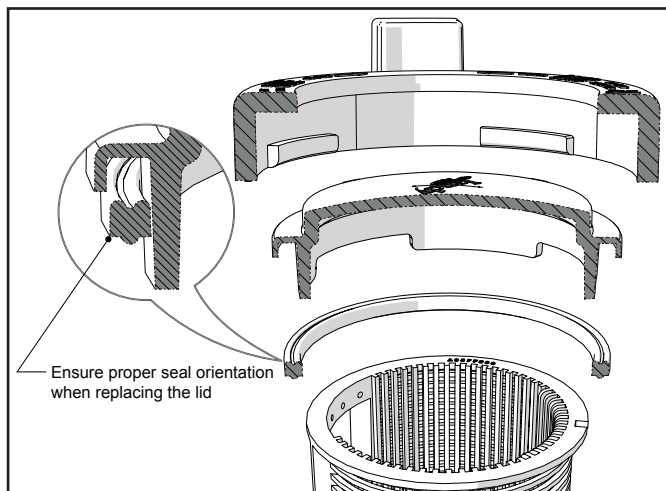


Figure 13. Replace Lid and Seal

6. Replace the lid with locking ring on the pump housing. Align 'START' with the ports and turn the lid's locking ring clockwise until 'LOCKED' aligns with the ports. **Hand-tighten** the lid to make an air tight seal. **Do not use any tools to tighten the lid.**
7. Verify that all valves have been returned to the proper position for normal operation.
8. Open the pressure release valve on the filter, and make sure it is clean and ready for operation.
9. Turn on the power to the pump. Once all the air has been evacuated from the filter, close the filter pressure release valve.

5.2 Winterizing the Pump

⚠ CAUTION

The pump **must** be protected when freezing temperatures are expected. Allowing the pump to freeze will cause severe damage and void the warranty.

⚠ CAUTION

Do not use antifreeze solutions in the pool, spa, or hot tub systems! Antifreeze is highly toxic and may damage the circulation system. The only exception to this is Propylene Glycol. For more information see your local pool/spa supply store or contact a qualified swimming pool service company.

1. Drain **all** water from the pump, system equipment, and piping.
2. Remove the two (2) drain plugs. Store the drain plugs in a safe location and reinstall them when the cold weather season is over. **Do not lose the o-rings.**
3. Keep the motor covered and dry. Do not cover it with plastic, as this will create condensation and this moisture will damage the pump.

NOTE To protect your pump, Zodiac Pool Systems, Inc. recommends having a qualified service technician or electrician properly disconnect the electrical wiring at the switch or junction box. Once the power is removed, the two (2) unions can be loosened and the pump stored indoors. For safety, and to prevent entry of contaminants, reinstall all conduit and terminal box covers.

4. When the system is reopened for operation, make sure all piping, valves, wiring, and equipment are in accordance with the manufacturer's recommendations. Pay close attention to the filter and electrical connections.
5. The pump must be primed prior to starting; refer to "4.3 Start-up"

Section 6. Troubleshooting and Repair

Zodiac® strongly recommends that you call a qualified service technician to perform any repairs on the filter/pump system. To locate a qualified technician, check your local yellow pages or visit www.zodiacpoolsystems.com or www.zodiacpoolsystems.ca and click on “Dealer Locator.”

Symptom	Possible Cause/Solution
Reduced flow being returned to pool and/or less water being pulled in by skimmer.	Verify that skimmer baskets, pump basket and other screens are clean. Clean as necessary. Check filter and clean as necessary. Check valve positions. Adjust as necessary. NOTE Multiple pieces of equipment operating at one time (for example, waterfalls, spa jets, and surface returns) will affect the proper operation of the cleaning system. Check the cleaning system manual to ensure that the system is adjusted according to the manufacturer's recommendations.
Bubbles are present in the pump basket.	Air is in the system. Check the pool or spa water level to ensure that it is at the proper level and air is not being drawn into the suction piping. If the water is at the normal level, turn off the pump. Turn the lid's locking ring counter-clockwise until 'START' aligns with the ports. Remove the lid and check for debris around the lid seal seat OR improper installation of the lid seal, as either condition will allow air to leak into the system. Clean the lid seal and replace it on the lid. Replace the lid on the pump housing. Align 'START' with the ports and turn the locking ring clockwise until 'LOCKED' aligns with the ports. Hand-tighten the lid to make an air-tight seal. Do not use any tools to tighten the lid. Turn the pump back on.
Air leaks are still present.	Check the suction side piping union. While the pump is running, try to tighten the union. If this does not stop the air leak, turn off the pump. Loosen both unions and slide the pump out of the way. Remove, clean, and re-install both union o-rings. Reposition the pump next to the piping and secure the union nuts to the pump. With clean union o-rings, hand-tightening of the unions should create a seal. If the unions still do not seal, gently tighten with a large pair of tongue-and-groove pliers. Do not over-tighten.
There is no air in the system, but the pressure is still low.	It is possible that debris is caught in the pump impeller. The pump impeller moves the water, and the vanes in the impeller can become blocked with debris.

Symptom	Possible Cause/Solution
There is no debris blocking the impeller and the pressure is still low.	The pump impeller and diffuser are showing signs of normal wear. Have a qualified service technician check the impeller and diffuser and replace as necessary. If the pump is part of a relatively new installation, it could be an electrical problem. Contact a qualified service technician. Have the technician check for loose electrical connections and check the voltage at the pump motor while it is in operation. The voltage must be within 10% of the motor's data plate rating. If the voltage is not within 10%, contact a qualified electrician and/or the local power service provider. Pump seal is leaking air. Have a qualified service technician replace the seal.
The pump is leaking water between the motor and pump body.	This is caused by a damaged or failed mechanical seal. Replace the seal.
The pump gets hot and shuts off periodically.	Make sure that there is adequate room around the motor to circulate air and keep the motor cool. Have a qualified electrician check for loose connections and check the voltage at the pump motor while it is in operation. The voltage must be within 10% of the motor's data plate rating. If the voltage is not within 10%, contact a qualified electrician and/or the local power service provider.
Pump will not start.	No power to pump. Make sure pump is properly connected to high voltage. See “3.2 Electrical Installation”
	Improper low-voltage wiring. Check low-voltage wiring between pump and controller. Correct if necessary. See “3.2 Electrical Installation”
	Improper pump address setting. Make sure that pump dip switches 3 and 4 are set properly for the installation. Both should be OFF for use with Variable-Speed Controller or set to the proper address when connected to an AquaLink® RS controller, an AquaLink PDA, or an AquaLink Z4. See “3.2.4.1 Install with AquaLink® controller”
	Fault condition exists. View fault message on controller and correct fault before proceeding. If unsure how to correct fault, contact Zodiac® Technical Support at 800.822.7933.

Symptom	Possible Cause/Solution
Variable-Speed Controller LCD is not displaying information or pump LEDs are not illuminated.	Incorrect dip switch setting. Make sure pump dip switches 1 and 2 are both ON if the controller is the JEP-R and both are OFF if the controller is a PDA, AquaLink RS, or AquaLink Z4. See “3.2.4.1 Install with AquaLink® controller”
	Improper low-voltage wiring. Check low-voltage wiring between pump and controller. Correct if necessary. See “3.2 Electrical Installation”

Symptom	Possible Cause/Solution
Controller displays “Pump not connected”.	Improper low-voltage wiring. Check low-voltage wiring between pump and controller. Correct if necessary. See “3.2 Electrical Installation”
	Improper pump address set. Ensure pump dip switches 3 and 4 are set properly for the installation. Both should be OFF for use with Variable-Speed Controller or set to the proper address when connected to an AquaLink RS, AquaLink PDA, or an AquaLink Z4. See “3.2.4.1 Install with AquaLink® controller”
Fault message appears on controller display.	Fault condition exists. View fault message on controller and correct fault before proceeding. If unsure how to correct fault, contact Zodiac Technical Support at 800.822.7933.

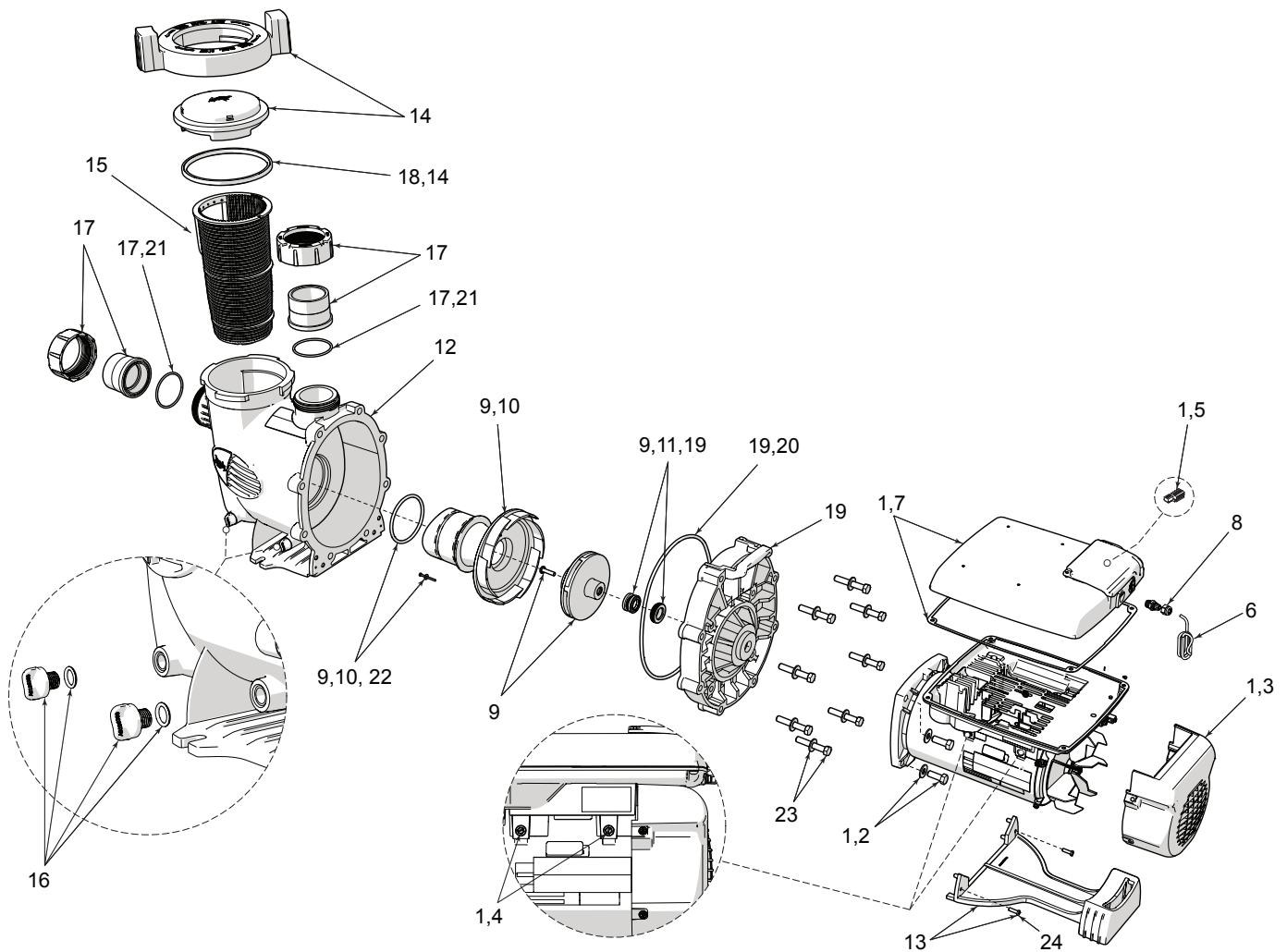
Section 7. Product Specifications and Technical Data

7.1 Replacement Parts List

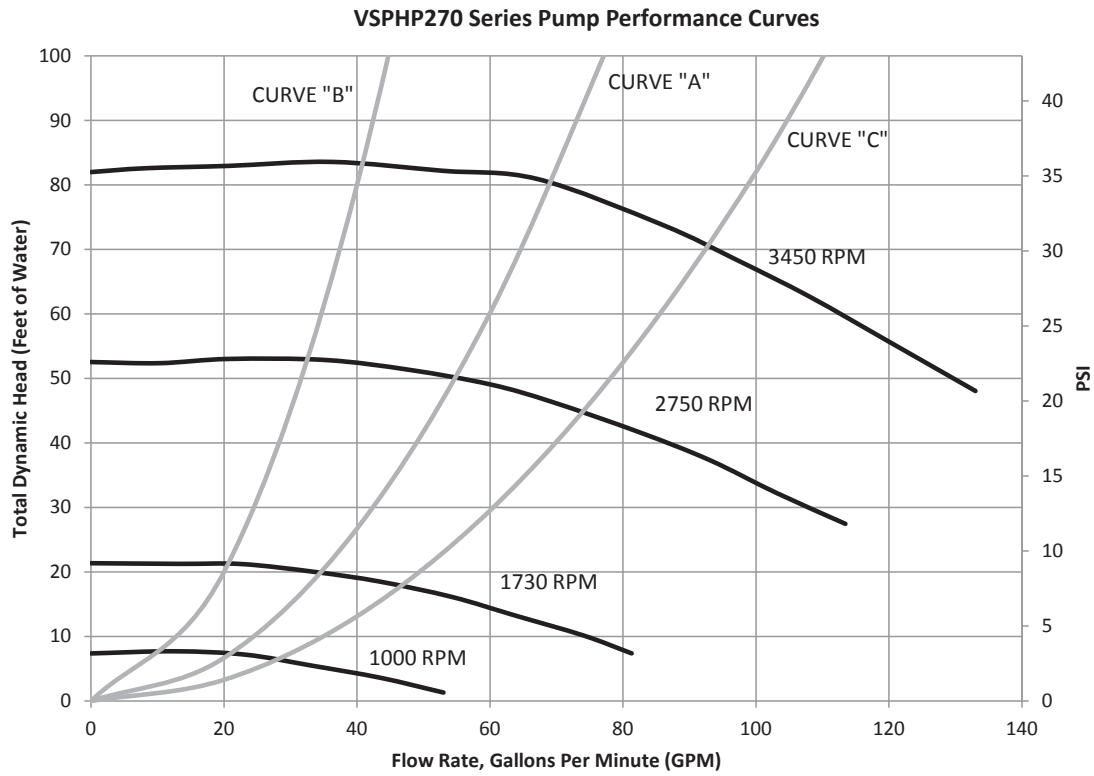
To order or purchase parts for Zodiac® pumps, contact your nearest Zodiac dealer. If the Zodiac dealer cannot supply you with what you need, contact Zodiac technical support at 1.800.822.7933, or send an e-mail message to productsupport@zodiac.com.

Key No.	Description	Order Part No.	Key No.	Description	Order Part No.
1	Motor, Drive	R0562201	13	Motor Mounting Foot Assembly w/Screws	R0445700
2	Motor Hardware Kit	R0446700	14	Locking Ring w/Lid & Seal	R0448800
3	Cover Fan, GEN II Replacement Kit (Hardware, Cover)	R0562400	15	Pump Debris Filter Basket	R0448900
4	Hardware Speed Drive, GEN II	R0562500	16	Drain Plug w/O-ring	R0446000
5	Connector, Speed Drive, (4-Pin Connector)	R0660900	17	Tail Piece (2" x 2½") w/O-ring & Coupling Nut (Set of 2)	R0449000
6	Cable, RS-485, Replacement Kit*	R0535100	18	Lid Seal and Lid O-ring (Lid O-ring Not Shown)	R0449100
7	Cover, Large, Speed Drive w/Gasket, GEN II	R0562300	19	Backplate Kit w/Hardware and Mechanical seal	R0445200
8	Data Cable, Feed Thru	R0501100	20	O-ring, Backplate	R0446300
9	Impeller & Diffuser w/ Screw w/O-ring, PHPM	R0445305	21	O-ring, Tail Piece	R0449200
10	Diffuser w/O-ring & Hardware	R0445400	22	Diffuser/Impeller w/O-rings & Mounting Hardware	R0446500
11	Mechanical Seal (Carbon and Ceramic)	R0479400	23	Backplate Bolts & Washers	R0446600
12	Pump Body	R0448700	24	Screws, Motor Mounting Foot	R0446800

7.2 Exploded View



7.3 Performance Curves

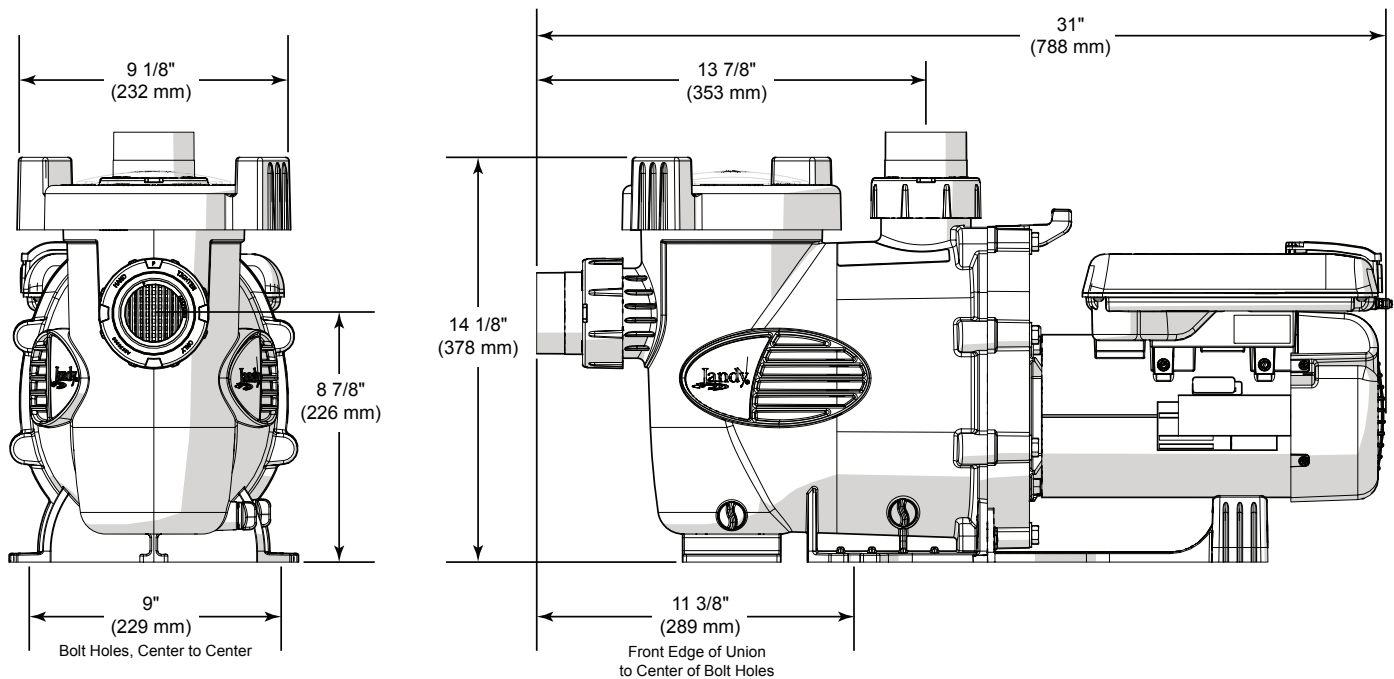


7.4 Physical and Operational Specifications

7.4.1 Pump Specifications

Model No.	HP	Voltage	Max Watts	Pipe Size	Carton Weight	Overall Length 'A'
VSPHP270	0.25 - 2.7	230 VAC	2,250W	2½ - 3"	50 lbs.	30 3/8"

7.4.3 PHP Pump Dimensions



NOTES



Intertek



CONFORMS TO UL 1081
CERTIFIED TO CSA C22.2 NO 108

Zodiac Pool Systems, Inc.
2620 Commerce Way, Vista, CA 92081
1.800.822.7933 | www.ZodiacPoolSystems.com



ZODIAC® is a registered trademark of Zodiac International, S.A.S.U., used under license.
All trademarks referenced herein are the property of their respective owners.

©2014 Zodiac Pool Systems, Inc. H0490000 REVC



MANUEL DE FONCTIONNEMENT ET D'INSTALLATION

FRANÇAIS



Pompe de la série Jandy Pro VS PlusHP Modèles VSPHP270JEP & VSPHP270AUT

WARNING

POUR VOTRE SÉCURITÉ – L'installation et l'entretien de ce produit doivent être effectués par un technicien autorisé et qualifié pour la réparation des équipements de piscine dans le territoire de compétence dans lequel ledit produit est installé lorsque de telles exigences locales, provinciales ou territoriales existent. Le responsable de l'entretien doit être un professionnel ayant une expérience suffisante dans l'installation et l'entretien des équipements de piscine de manière à ce que les consignes du présent manuel puissent être suivies à la lettre. Avant d'installer ce produit, prière de lire et respecter toutes les consignes de mise en garde et les instructions comprises avec ce produit. Le non-respect des avertissements et des instructions pourrait causer des dommages matériels, des blessures graves ou même la mort.



Une installation ou une utilisation inappropriée annuleront la garantie. L'installation ou l'utilisation inappropriée peuvent créer un danger électrique indésirable, lequel peut entraîner des blessures graves, des dommages matériels ou la mort.

À L'ATTENTION DE L'INSTALLATEUR - Le présent manuel contient des renseignements importants sur l'installation, le fonctionnement et la sécurité de ce produit. Ces renseignements doivent être donnés au propriétaire ou à l'utilisateur de cet appareil.

TABLE OF CONTENTS

Section 1. Consignes importantes de sécurité . 23

- 1.1 Consignes de sécurité23
- 1.2 Normes de prévention du piégeage par aspiration de la pompe de piscine.....25

Section 2. Description générale 26

- 2.1 Introduction26
- 2.2 Description.....26
- 2.3 Préparation26

Section 3. Installation..... 26

- 3.1 Plomberie.....26
 - 3.1.1 Emplacement de la pompe26
 - 3.1.2 Dimensions des tuyaux.....27
 - 3.1.3 Recommandations pour l'installation27
- 3.2 Installation électrique28
 - 3.2.1 Vérifications de la tension28
 - 3.2.2 Métallisation et mise à la masse28
 - 3.2.3 Câblage électrique29
 - 3.2.4 Options du régulateur29
 - 3.2.4.1 Pour Installer Avec Le Régulateur AquaLink®29
 - 3.2.4.2 Pour installer le régulateur à vitesse variable JEP-R30
 - 3.2.4.3 Réglages des commutateurs DIP de la pompe30
- 3.2.5 Fonctionnement de la charge auxiliaire31

- 3.2.5.1 Exigences en matière de raccordement de la charge auxiliaire31
- 3.2.6 Caractéristiques de fonctionnement de la charge auxiliaire.....31
 - 3.2.6.1 Fermeture du circuit31
 - 3.2.6.2 Ouverture du circuit31

Section 4. Fonctionnement..... 32

- 4.1 Retrait du couvercle de la pompe32
- 4.2 Conduite d'essai de pression.....32
- 4.3 Démarrage.....33

Section 5. Entretien 34

- 5.1 Entretien de routine34
- 5.2 Hivernage de la pompe.....34

Section 6. Dépannage et réparation 35

Section 7. Caractéristiques du produit et données techniques..... 37

- 7.1 Liste et vue éclatée des pièces de rechange.....37
- 7.2 Vues éclatées37
- 7.3 Courbes de performance38
- 7.4 Spécifications physiques et fonctionnelles38
 - 7.4.1 Spécifications.....38

EQUIPMENT INFORMATION RECORD

DATE OF INSTALLATION _____

INSTALLER INFORMATION _____

INITIAL PRESSURE GAUGE READING (WITH CLEAR FILTER) _____

PUMP MODEL _____ **HORSEPOWER** _____

NOTES: _____

Section 1. Consignes importantes de sécurité

LIRE ET SUIVRE TOUTES LES DIRECTIVES

1.1 Consignes de sécurité

Tous les travaux d'électricité doivent être accomplis par un électricien agréé et doivent être conformes aux normes fédérales, provinciales et locales. Au moment de l'installation et de l'utilisation de cet équipement électrique, des précautions de base doivent toujours être suivies, entre autres :

AVERTISSEMENT

RISQUE DE PIÉGEAGE DANS LA CONDUITE D'ASPIRATION QUI, SI NON ÉVITÉ, POURRAIT ENTRAÎNER DES BLESSURES GRAVES OU LA MORT. Ne pas bloquer l'aspiration de la pompe, car cela peut causer une blessure grave ou la mort. Ne pas utiliser cette pompe pour des pataugeoires, des piscines peu profondes ou des spas ayant des canalisations d'évacuation à la base, sauf si la pompe est connectée à au moins deux (2) orifices d'aspiration qui fonctionnent. Les sorties d'aspiration (drain) et leurs couvercles être certifiés par la dernière édition publiée de la norme ANSI®/ASME® A112.19.8 ou sa norme subséquente, ANSI/APSP-16.

AVERTISSEMENT

Pour réduire le risque de blessure, ne pas permettre aux enfants d'utiliser ce produit.

AVERTISSEMENT

Afin de réduire le risque de dommages matériels ou de blessures, ne pas essayer de changer la position du robinet de lavage à contre-courant (multivoies, de glissement ou de passage intégral) pendant le fonctionnement de la pompe.

AVERTISSEMENT

Les pompes de la série Jandy Pro fonctionnent à l'aide d'un moteur électrique haute tension et doivent être installées par un électricien agréé ou licencié ou un technicien d'entretien de piscines.

AVERTISSEMENT

RISQUE DE CHOC ÉLECTRIQUE, D'INCENDIE, DE BLESSURES OU DE MORT. Brancher seulement à un circuit qui est protégé par un disjoncteur de fuite à la terre. En cas de doute, consulter un électricien certifié. Un tel disjoncteur devrait être fourni par l'installateur et devrait faire l'objet d'essais sur une base régulière. Pour tester le disjoncteur de fuite à la terre, appuyer sur le bouton TEST. Le disjoncteur de fuite à la terre doit couper l'alimentation électrique. Appuyer sur le bouton RESET (réinitialisation). L'alimentation électrique devrait être restaurée. Si le DDFT ne fonctionne pas de cette façon, c'est qu'il est défectueux. Si le disjoncteur de fuite à la terre coupe l'alimentation à la pompe sans que le bouton de test soit enfoncé, il y a alors circulation de courant à la terre, ce qui indique la possibilité de choc électrique. Ne pas utiliser l'appareil. Débrancher cet appareil et s'assurer que le problème soit résolu par un représentant de service qualifié avant de l'utiliser.

- En raison du risque potentiel d'incendie, d'électrisation ou de blessures aux personnes, les pompes de la série Jandy Pro doivent être installées en conformité avec le Code national de l'électricité (NEC®), tous les codes locaux d'électricité et de sécurité et la Loi sur la santé et la sécurité au travail (OSHA). Des copies du Code national de l'électricité peuvent être commandées auprès de la « National Fire Protection Association », 470 Atlantic Ave., Boston, MA 02210, ou de l'agence locale d'inspection gouvernementale.

AVERTISSEMENT

Un équipement mal installé peut être défaillant et causer des blessures graves ou des dommages matériels.

AVERTISSEMENT

- Ne pas connecter le système à un réseau urbain de distribution d'eau non réglementé ou à une source externe d'eau sous pression, générant des pressions supérieures à 2,4 bar (35 psi).
- Le piégeage d'air dans le circuit peut provoquer une ouverture explosive du couvercle du filtre pouvant causer la mort, de graves lésions corporelles ou des dommages matériels. Avant d'utiliser le système, s'assurer que tout l'air soit bien expulsé.

AVERTISSEMENT

Pour réduire les risques de blessure grave voire de mort, le filtre et/ou la pompe ne devraient pas être soumis à l'essai de mise sous pression du système de tuyauterie.

Les codes locaux peuvent exiger l'application d'un essai de pressurisation sur la tuyauterie de la piscine. Ces exigences ne s'appliquent généralement pas à l'équipement de piscine, tel que les filtres ou les pompes.

L'équipement de piscine Zodiac® a fait l'objet d'essais de pressurisation en usine.

Si toutefois l'AVERTISSEMENT ne peut être respecté et que l'essai de pressurisation de la tuyauterie doit aussi inclure le filtre ou la pompe, S'ASSURER DE SE CONFORMER AUX CONSIGNES DE SÉCURITÉ SUIVANTES :

- Vérifier que l'ensemble des brides, boulons, couvercles, bagues de retenue et accessoires du système sont correctement installés et fixés solidement avant d'effectuer un test.
- **ÉVACUER TOUT L'AIR dans le circuit avant les essais.**
- La pression d'eau pour l'essai ne doit PAS DÉPASSER 35 lb/po² (241 kPa).
- La température de l'eau pour l'essai NE DOIT PAS DÉPASSER 100 °F (38 °C).
- Limiter l'essai à 24 heures. Après l'essai, vérifier visuellement le système pour s'assurer qu'il est prêt à fonctionner.

AVIS : ces paramètres s'appliquent uniquement à l'équipement Zodiac®. Pour l'équipement non fabriqué par Zodiac, consulter le fabricant.

AVERTISSEMENT

Chemical spills and fumes can weaken pool/spa equipment. Corrosion can cause filters and other equipment to fail, resulting in severe injury or property damage. Do not store pool chemicals near your equipment.

MISE EN GARDE

Do not start pump dry! Running the pump dry for any length of time will cause severe damage and will void the warranty.

MISE EN GARDE

This pump is for use with permanently installed pools and may also be used with hot tubs and spas if so marked. Do not use with storable pools. A permanently installed pool is constructed in or on the ground or in a building such that it cannot be readily disassembled for storage. A storable pool is constructed so that it may be readily disassembled for storage and reassembled to its original integrity.

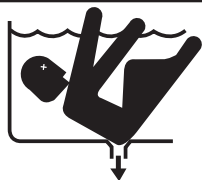
MISE EN GARDE

Do not install within an outdoor enclosure or beneath the skirt of a hot tub or portable spa. The pump requires adequate ventilation to maintain air temperature at less than the maximum ambient temperature rating listed on the motor rating plate.

CONSERVER CES DIRECTIVES

1.2 Normes de prévention du piégeage par aspiration de la pompe de piscine.

⚠ AVERTISSEMENT



DANGER D'ASPIRATION. Peut provoquer de graves blessures ou la mort. Ne pas utiliser cette pompe pour des pataugeoires, des piscines peu profondes ou des spas ayant des canalisations d'évacuation à la base, sauf si la pompe est connectée à au moins deux (2) orifices d'aspiration qui fonctionnent.

⚠ AVERTISSEMENT

L'aspiration de la pompe est dangereuse et peut piéger, noyer ou éviscérer les baigneurs. Ne pas utiliser ni faire fonctionner les piscines, les spas ou les jacuzzis si un couvercle de sortie d'aspiration est absent, brisé ou instable. Les directives suivantes fournissent l'information d'installation de la pompe qui permet de réduire le plus possible les risques de blessures aux utilisateurs des piscines, des spas et des jacuzzis :

Protection contre le piégeage — Le système d'aspiration de la pompe doit fournir une protection contre les dangers de piégeage par aspiration.

Couvercles de bouches d'aspiration — Toutes les bouches d'aspiration doivent être correctement installées, et les couvercles bien vissés en place. Tous les couvercles de bouche d'aspiration (canalisation d'évacuation) doivent être entretenus adéquatement. Ils doivent être remplacés s'ils sont fissurés, cassés ou absents. Les couvercles des drains doivent être énumérés/certifiés par la dernière édition publiée de l'ANSI®/ASME® A112.19.8 ou de la norme subséquente, ANSI/APSP-16. La piscine doit être fermée et les baigneurs doivent avoir l'interdiction d'y entrer jusqu'à ce que tout couvercle de conduite d'évacuation fissuré, brisé ou manquant soit changé. Ne pas utiliser la piscine ou le spa jusqu'à ce que réalise la réparation ou le remplacement.

Nombre de bouches d'aspiration par pompe - Fournir au moins deux (2) bouches d'aspiration hydrauliquement équilibrées, avec couvercles, en guise de bouches d'aspiration pour chaque conduite d'aspiration de pompe de circulation. Les centres des bouches d'aspiration sur toute conduite d'aspiration doivent être à au moins un (1) mètre (3 pi) l'une de l'autre, de centre en centre. Voir Figure 1.

Le système doit être conçu pour comprendre au moins deux bouches d'aspiration (drains) connectées à la pompe chaque fois que la pompe fonctionne. Cependant, si deux (2) bouches d'aspiration aboutissent à une seule conduite d'aspiration, cette dernière peut être équipée d'un robinet qui coupera les deux bouches d'aspiration de la pompe. Le système doit être conçu de manière à ne pas permettre une fermeture ou un isolement distinct ou indépendant de chaque drain. Voir la Figure 1.

D'autres pompes peuvent être raccordées à une conduite d'aspiration unique à condition que les exigences susmentionnées soient remplies.

Vitesse de l'eau — La vitesse maximale de l'eau passant par la sortie d'aspiration et son couvercle, pour toute sortie d'aspiration, ne doit pas dépasser le débit maximal de l'assemblage et de son couvercle pour lequel ils ont été conçus. Le débit à travers les autres bouches d'aspiration (drains) et leurs couvercles doit être conforme à la dernière version ANSI®/ASME® A112.19.8 publiée, la norme pour les raccords d'aspiration à utiliser dans les piscines, pataugeoires, spas et cuves thermales, ou à la norme qui lui succède, ANSI/ASME APSP-16.

Essais et certification - Les couvercles des bouches d'aspiration doivent avoir fait l'objet d'essais de la part d'un laboratoire reconnu au niveau national et jugés conformes à la dernière version publiée de la norme ANSI/ASME A112.19.8, la norme pour les raccords d'aspiration à utiliser dans les applications de piscine, de pataugeoire, de spa et de cuve thermique, ou à la norme qui lui succède, ANSI/APSP-16.

Raccords — Les raccords limitent le débit, pour une plus grande efficacité, utiliser le moins de raccords possibles (mais au moins deux (2) bouches d'aspiration).

Éviter les raccords qui pourraient causer le piégeage d'air.

Les raccords d'aspiration du nettoyeur à piscine doivent être conformes aux normes de l'Association Internationale de plomberie et des codes mécaniques (IAPMO).

Section 2. Description générale

2.1 Introduction

Ce manuel contient des renseignements pour l'installation, le fonctionnement et la maintenance appropriés des pompes de la série de Jandy Pro VS PlusHP. Les procédures de ce manuel doivent être suivies scrupuleusement. Pour obtenir des copies supplémentaires de ce manuel, communiquer avec le service à la clientèle de Zodiac® au 1 800 822-7933 ou visitez www.zodiacpoolsystems.com

2.2 Description

La pompe à vitesse variable VS PlusHP peut tourner de 600 tr/min à 3 450 tr/min. Lorsqu'elle est raccordée au régulateur JEP-R, jusqu'à huit (8) paramètres de vitesse pourront être programmés et rappelés. Cela permet de choisir la vitesse la plus adéquate pour votre application. Une programmation encore plus polyvalente est possible lorsque vous utilisez un régulateur AquaLink® RS, AquaLink PDA ou AquaLink Z4.

La pompe est entraînée par un MCE à vitesse variable (moteur à commutation électronique), directement fixé au rotor de la pompe. Le moteur fait tourner la turbine qui entraîne l'eau. La variabilité de la vitesse provoque un écoulement optimal au cours de chacun des différents cycles de la pompe. En conséquence, le rendement énergétique de la pompe est maximisé, ce qui se traduit par des économies pour le propriétaire de la piscine tout en contribuant à préserver l'environnement.

2.3 Préparation

- Vérifier que la boîte d'expédition n'est pas endommagée. Ouvrir la boîte et vérifier que la pompe ne cache aucun dommage comme des fissures, des bosses et que la base n'a pas été pliée. S'il y a des dommages, communiquer avec l'expéditeur ou le concessionnaire chez qui la pompe a été achetée.
- Inspecter le contenu du carton et vérifier les contenus, voir la "Figure 1. Contenu du carton".

Section 3. Installation

3.1 Plomberie

3.1.1 Emplacement de la pompe

- Zodiac Pool Systems, Inc. recommande d'installer la pompe pas plus d'un 30 cm (1) pied au-dessus du niveau d'eau. La pompe ne devrait pas être installée de plus d'un mètre cinquante (5 pi) au-dessus de la surface de l'eau de la piscine.

REMARQUE La pompe est homologuée par la fondation nationale des sciences (NSF), pouvant s'amorcer à des hauteurs allant jusqu'à 3 m (10 pi) au-dessus du niveau d'eau. Cependant, un meilleur amorçage automatique sera réalisé si la pompe est installée aussi près que possible du niveau d'eau de la piscine.

- Si la pompe est située sous le niveau de l'eau, les clapets d'isolement doivent être installés à la fois dans les conduites d'aspiration et de retour afin d'empêcher le retour d'eau de la piscine pendant tout entretien requis ou de routine.

⚠ WARNING

Un clapet antiretour peut interférer avec le bon fonctionnement de certains produits à mécanisme de déclenchement de l'aspiration à vide (SVRS). Afin d'éviter tout risque de piégeage, des blessures graves ou un décès, s'assurer de consulter le manuel d'entretien et d'emploi de votre produit SVRS précis avant d'installer le clapet antiretour.

REMARQUE Lorsque l'équipement de la piscine se trouve au-dessous de la surface de la piscine, une fuite peut entraîner une perte d'eau importante ou une inondation. Zodiac Pool Systems, Inc. ne peut pas être tenu responsable d'une perte d'eau ou d'une inondation ou d'un dommage occasionné par l'un de ces accidents.

- La pompe doit être installée de sorte que tout(e) dispositif de débranchement ou boîte de raccordement électrique soit visible depuis la pompe, mais situé(e) horizontalement à au moins 1,5 mètre (5 pi) du bord de la piscine ou du spa.

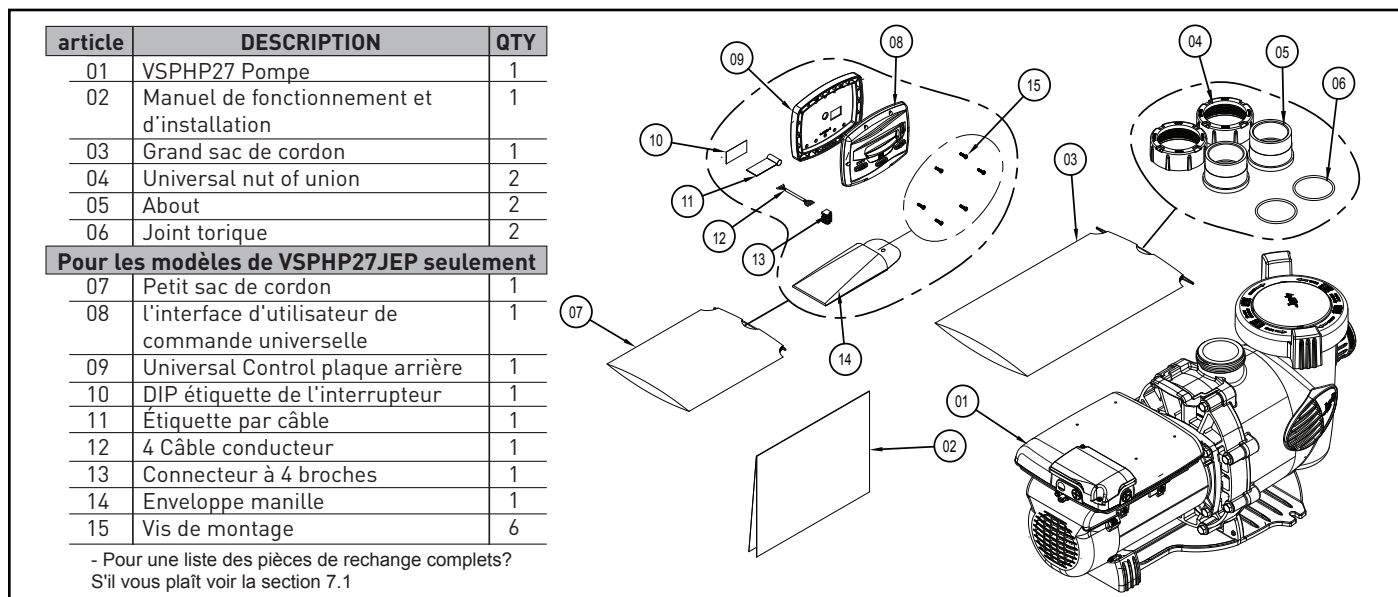


Figure 1. Contenu du carton

- Choisir un emplacement qui réduira les coudes dans la tuyauterie.

REMARQUE Au Canada, le Code canadien de l'électricité (CCE, CSA C22.1) exige une distance minimale de 3 m (10 pi) du bord de la piscine ou du spa.

- La pompe doit être placée sur une base solide qui ne vibrera pas.

3.1.3 Recommandations pour l'installation

- Pour aider l'amorçage, installer la canalisation d'aspiration sans point haut (dessus de l'admission de la pompe - « U » inversés, communément nommés « poches d'air » en plomberie) qui piègent l'air.
- Pour l'installation de l'équipement jusqu'à 30 m (100 pieds) de l'eau, se référer au "Table 1. Dimensions

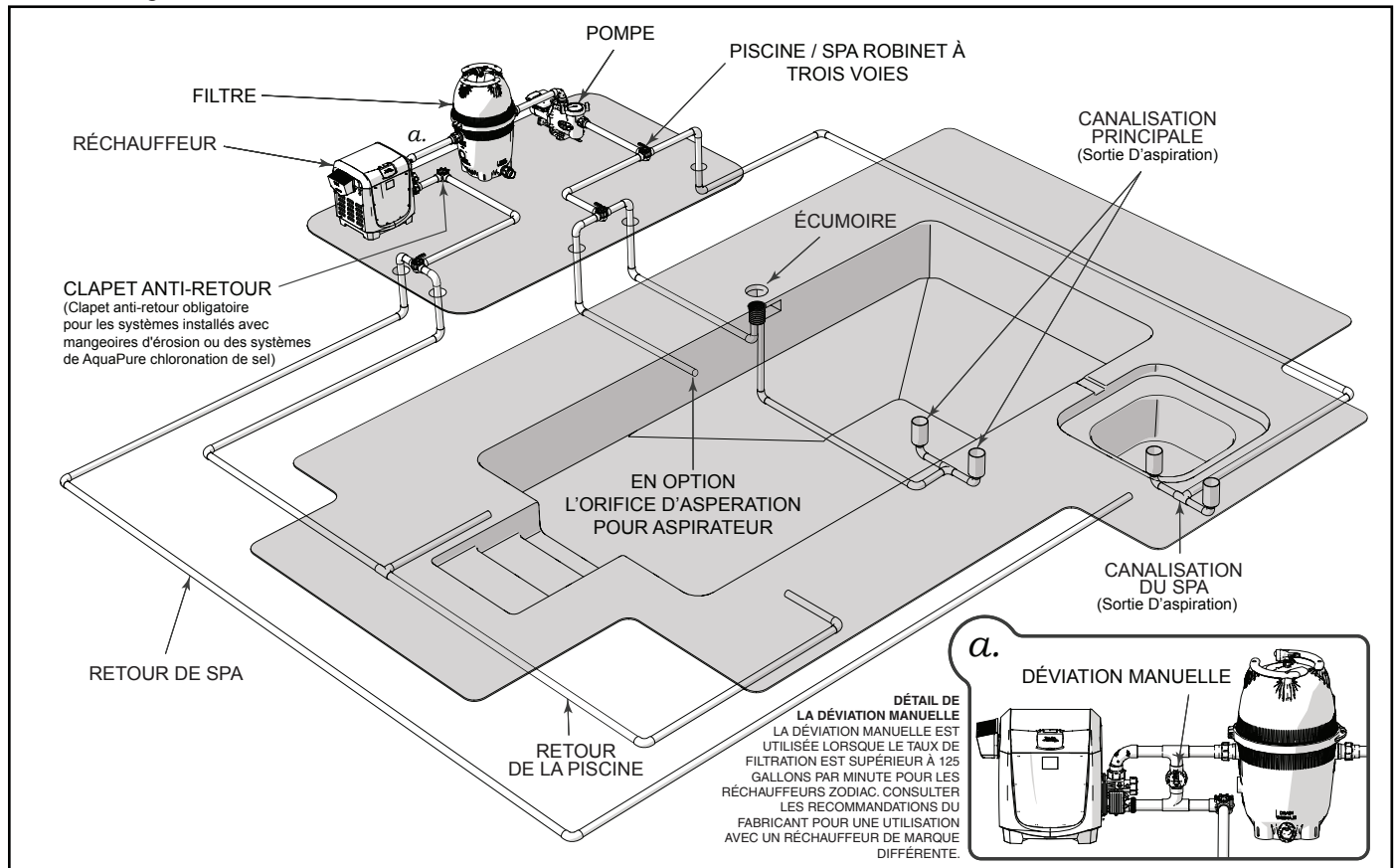


Figure 2. Typical Piping Installation

REMARQUE Pour réduire davantage la possibilité de bruit de vibration, verrouiller la pompe à la base ou la placer sur un tapis de caoutchouc.

- La fondation de la pompe doit avoir un drainage adéquat pour empêcher de mouiller le moteur.
- Protéger la pompe de la pluie et du soleil.
- Une ventilation adéquate est requise pour que la pompe fonctionne normalement Ou la chaleur générée par le moteur doit être retiré avec un débit d'air suffisant.
- Prévoir un accès pour entretien futur en laissant une zone dégagée autour de la pompe. Laisser beaucoup d'espace au-dessus de la pompe pour pouvoir ôter le couvercle et le panier-filtre lors du nettoyage.
- Si l'équipement est couvert, prévoir un éclairage adéquat.

3.1.2 Dimensions des tuyaux

Lorsque la pompe est située à 15 m (50 pieds) de la piscine, les dimensions minimales recommandées pour le côté aspiration et décharge de la pompe est de 64 mm (2.5 pouces). Pour des longueurs d'aspiration supérieures à 15 mètres (50 pieds) augmenter la taille de la canalisation selon "Table 1. Dimensions de canalisation pour l'annexe 40 en PVC".

de canalisation pour l'annexe 40 en PVC", le graphique des dimensions de la canalisation. Pour l'installation de l'équipement de plus de 30 m (100 pieds) de l'eau, les dimensions de canalisation recommandées doivent être des dimensions suivantes.

- Les pompes VS FloPro sont munies de raccords aux deux orifices d'aspiration et de refoulement. Cette fonctionnalité simplifie l'installation et l'entretien et élimine la possibilité de fuite dans les adaptateurs filetés.

Table 1. Dimensions de canalisation pour l'annexe 40 en PVC

Dimensions de la canalisation	Débit maximal d'aspiration (2,4 mètres (6 pi) par seconde)	Débit de refoulement maximal (2,4 mètres (8 pi) par seconde)
38 mm (1½")	140 LPM (37 GPM)	189 LPM (50 GPM)
51 mm (2")	235 LPM (62 GPM)	322 LPM (85 GPM)
64 mm (2½")	333 LPM (88 GPM)	454 LPM (120 GPM)
76 mm (3")	515 LPM (136 GPM)	697 LPM (184 GPM)
102 mm (4")	886 LPM (234 GPM)	1185 LPM (313 GPM)

- La pompe doit être raccordée à au moins deux (2) drains principaux hydrauliquement équilibrés pour chaque conduite d'aspiration de la pompe de piscine. Chaque drain (sortie d'aspiration) doit être fourni avec des couvercles énumérés ou certifiés par la dernière version publiée de la norme ANSI®/ASME® A112.19.8 ou de la norme subséquente, ANSI/APSP-16. Les raccords d'aspiration des drains principaux doivent être éloignés d'au moins un (1) mètre ou trois (3) pieds sur des niveaux différents. Les raccords d'aspiration peuvent être constitués d'une canalisation d'évacuation et une écumoire, de deux (2) canalisations d'évacuation, de deux (2) écumoires ou d'une écumoire avec une ligne égalisatrice installée. Vérifier les codes locaux pour une bonne installation.

REMARQUE Pour éviter le piégeage, le circuit doit être construit de façon à ne pas fonctionner avec la pompe tirant l'eau d'un (1) seul drain principal. Au moins deux (2) canalisations principales d'évacuation doivent être connectées à la pompe pendant son fonctionnement. Cependant, si deux (2) drains de fond aboutissent à une seule conduite d'aspiration, cette dernière peut être équipée d'un robinet qui coupera les deux drains de fond de la pompe.

- La canalisation doit être bien soutenue et ne pas forcer là où elle exerce une pression constante.

pompe et pourrait causer une surchauffe, réduire la durée de vie du moteur et entraîner une augmentation de la facture d'électricité.

Il est de la responsabilité de l'installateur de fournir la tension fonctionnelle correcte et d'assurer que les bonnes dimensions de circuit et de câble soient utilisées pour cet usage spécifique.

Le Code national de l'électricité (NEC®, NFPA-70) exige que tous les circuits de la pompe d'une piscine soient protégés par un disjoncteur de fuite à la terre (DFT). Par conséquent, il est également de la responsabilité de l'installateur électrique de s'assurer que le circuit de la pompe soit conforme aux présentes exigences et à toute autre exigence applicable du Code national de l'électricité (NEC) et à tout autre code d'installation applicable.

⚠ MISE EN GARDE

L'omission de fournir la tension (à 10 % près) figurant sur la plaque d'identification au cours du fonctionnement causera la surchauffe du moteur et annulera la garantie.

3.2.2 Métallisation et mise à la masse

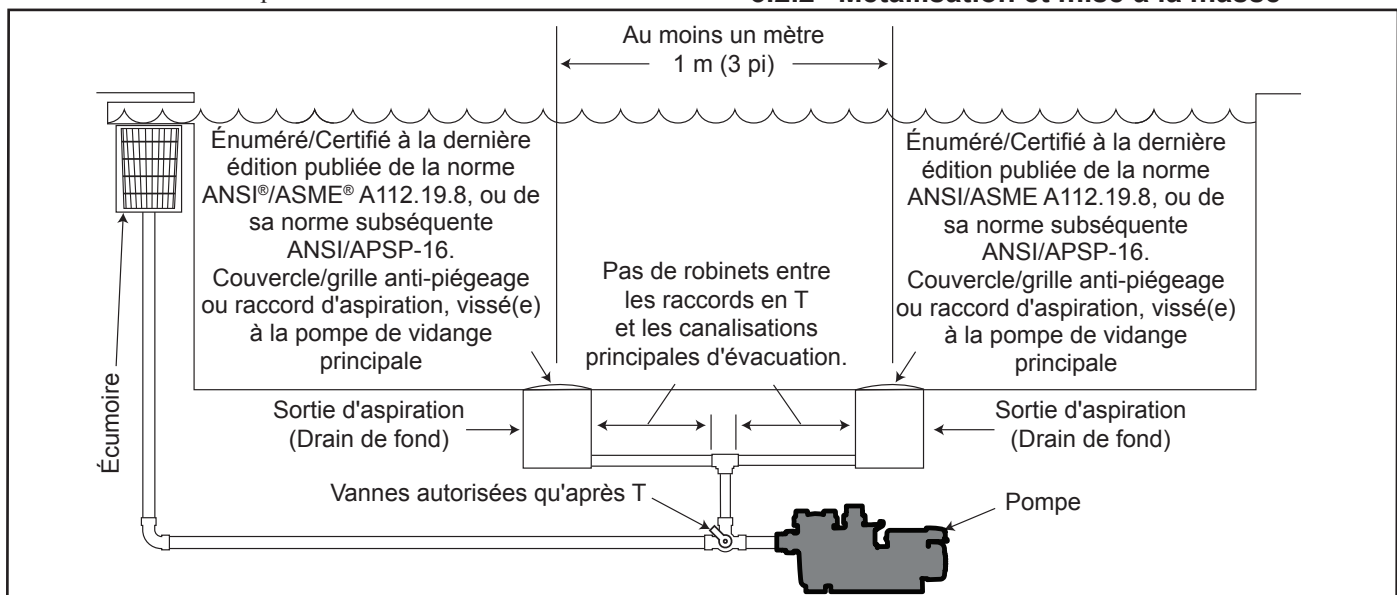


Figure 3. Nombre de sorties d'aspiration par pompe

- Utiliser toujours des robinets bien calibrés. Les inverseurs et les clapets à bille Jandy® ont une meilleure capacité d'écoulement.
- Utiliser le moins de raccords possibles.

REMARQUE Si plus de dix (10) raccords d'aspiration sont nécessaires, les dimensions de la canalisation doivent être augmentées.

- Chaque nouvelle installation doit subir un essai de pression conformément aux codes locaux.

3.2 Installation électrique

3.2.1 Vérifications de la tension

La tension appropriée, tel qu'il est spécifié sur la plaque signalétique de la pompe, est nécessaire pour une bonne performance et une longue durée de vie du moteur. Une tension inappropriée diminuera le rendement de la

- En plus d'une mise à la masse appropriée, et en conformité avec les exigences du Code national de l'électricité (NEC) ou au Canada, du Code canadien de l'électricité (CCE), le moteur de la pompe doit être relié à toutes les pièces métalliques de la structure de la piscine, du spa ou du bain tourbillon et à tous les composants et équipements électriques associés au circuit de circulation d'eau de la piscine ou du spa.
- La métallisation doit être effectuée à l'aide d'un conducteur en cuivre massif de calibre 8 AWG ou plus élevé. Au Canada, un fil de calibre 6 AWG ou plus doit être utilisé. Métalliser le moteur à l'aide de la cosse de mise à la masse externe prévue sur l'armature du moteur.

⚠ AVERTISSEMENT

Débrancher toujours la source d'alimentation avant de travailler sur un moteur ou sur sa charge branchée.

⚠ AVERTISSEMENT

S'assurer que le commutateur de commande, l'horodateur ou le système de contrôle est installé dans un endroit accessible, de manière à ce que dans le cas d'une panne d'équipement ou de raccord de plomberie desserré, le matériel puisse être désactivé. Cet endroit ne doit pas être dans la même zone que la pompe de piscine, le filtre et autre équipement.

⚠ MISE EN GARDE

Cette pompe doit être connectée en permanence à un circuit électrique dédié. Aucun autre équipement, lumière, appareil ou prise de courant ne peut être connecté au circuit de la pompe à l'exception des dispositifs qui peuvent devoir fonctionner en même temps que la pompe tel qu'un chlorateur ou un appareil de chauffage.

3.2.3 Câblage électrique

1. Le moteur de la pompe doit être mis à la terre de manière sécurisée et adéquate en utilisant le tournevis vert fourni. Mettre à la terre avant d'essayer de connecter à une source d'alimentation électrique. **Ne pas mettre à la terre à un tuyau d'alimentation en gaz.**

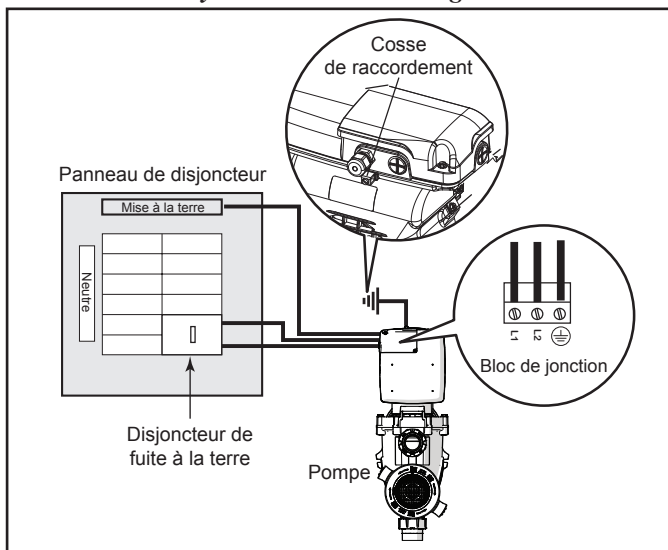


Figure 4. Raccordement du moteur

2. La dimension du câble doit être appropriée afin de réduire la chute de tension pendant le démarrage et le fonctionnement de la pompe.
3. Isoler soigneusement toutes les connexions afin d'empêcher la mise à la terre ou un court-circuit. Les extrémités tranchantes des bornes nécessitent une protection supplémentaire. Pour des raisons de sécurité et pour empêcher la pénétration de contaminants, replacer tous les couvercles de boîtes de dérivation et de connexions. **Ne pas forcer les connexions à la boîte de dérivation.**

3.2.4 Options du régulateur

La pompe VS FloPro peut être actionnée par l'un (1) de ces quatre (4) régulateurs : le régulateur à vitesse variable JEP-R, le AquaLink RS, le AquaLink PDA ou le AquaLink Z4.

La pompe à vitesse variable VS FloPro communique avec les régulateurs au moyen d'une interface RS-485 à quatre fils.

REMARQUE Puisque la pompe est actionnée soit par un régulateur externe, la pompe ne démarrera pas tant qu'elle n'aura pas été actionnée par l'un de ces régulateurs.

3.2.4.1 Pour Installer Avec Le Régulateur AquaLink®

La pompe VS PlusHP peut être exploitée par les contrôleurs Aqualink suivants

- Aqualink RS (Rev O or later)
- AquaLink PDA (Rev 4.0 or later)
- AquaLink Z4

1. Débrancher les lignes haute tension ou ouvrir un disjoncteur auquel l'alimentation de la pompe.

⚠ AVERTISSEMENT

DANGER DE CHOC ÉLECTRIQUE

Désactiver tous les interrupteurs et le disjoncteur principal dans le circuit électrique de la pompe à vitesse variable avant de commencer la procédure. Le fait de ne pas se conformer aux recommandations risque de causer des chocs électriques pouvant résulter en des dommages corporels sévères ou même la mort.

2. Positionner les commutateurs DIP 1 et 2, doit être en position «OFF» (désactivés). Voir "Figure 5. Câblage AquaLink RS, PDA or Z4".
3. Sélectionner les adresses désirées pour la pompe en réglant les commutateurs DIP 3 et/ou 4, tel qu'il est indiqué à la "Table 2. Réglages des commutateurs DIP".
4. Débrancher le câble RS485 du collecteur à 4 broches sur l'entraînement de la pompe.

REMARQUE Ne pas couper le câble, car la capacité de retourner à la configuration par défaut établie en usine sera perdue.

5. Raccorder le nouveau câble RS-485 du régulateur AquaLink par le biais du raccord de compression disponible et passer le câble à 4 conducteurs par l'orifice fileté de l'entraînement du moteur le plus proche du connecteur. Voir la "Figure 5. Câblage AquaLink RS, PDA or Z4".
6. Raccorder l'autre extrémité du câble à un connecteur RS-485 sur le régulateur AquaLink RS (ou carte d'interface du multiplexeur), en faisant correspondre les couleurs de fil avec les positions du connecteur. Voir la "Figure 5. Câblage AquaLink RS, PDA or Z4".
7. Rétablir l'alimentation vers la pompe et vérifier le fonctionnement du régulateur.
8. Consulter le manuel approprié pour l'installation et le fonctionnement de la pompe
 - AquaLink RS Manual #6593
 - AquaLink PDA Manual #H0572300
 - AquaLink Z4 Manual #H0386600.

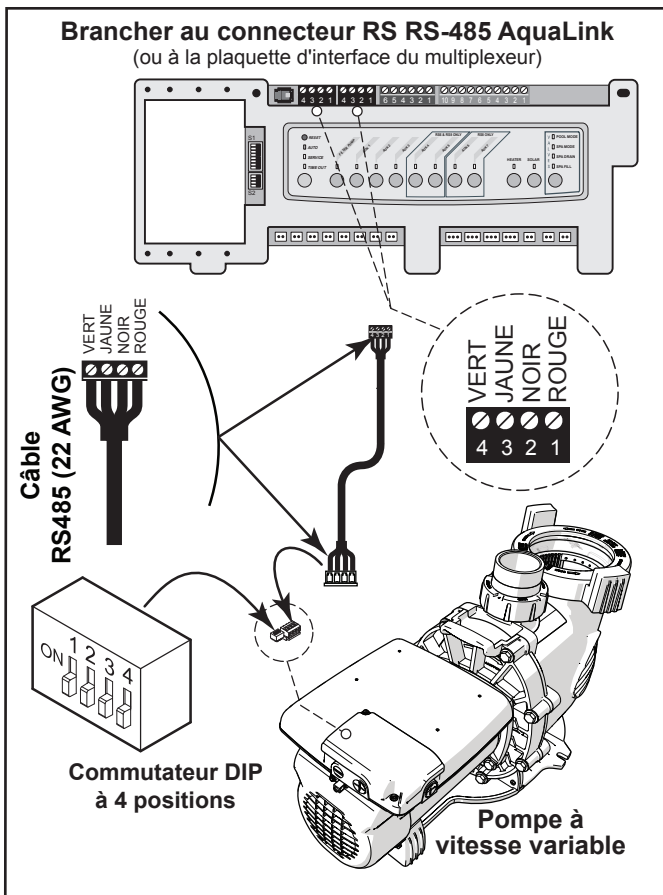


Figure 5. Câblage AquaLink RS, PDA or Z4

3.2.4.2 Pour installer le régulateur à vitesse variable JEP-R

IMPORTANT

L'installateur doit activer les interrupteurs 1 et 2 de la pompe VS-FHP2.0 lorsqu'elle est raccordée au régulateur à vitesse variable.

1. Couper l'alimentation de la pompe en débranchant les lignes haute tension ou en ouvrant un disjoncteur auquel l'alimentation de la pompe est raccordée.

⚠ AVERTISSEMENT

DANGER DE CHOC ÉLECTRIQUE

Désactiver tous les interrupteurs et le disjoncteur principal dans le circuit électrique de la pompe à vitesse variable avant de commencer la procédure. Le fait de ne pas se conformer aux recommandations risque de causer des chocs électriques pouvant résulter en des dommages corporels sévères ou même la mort.

2. Retirer le couvercle de la boîte de connexion et alimenter le câble RS-485 dans le raccord.
3. Débrancher le connecteur RS-485.
4. Attacher les quatre (4) fils RS-485 au connecteur RS-485. Faire correspondre les couleurs de fil avec les positions sur le connecteur. Voir "Figure 6. Câblage JEP-R VSP contrôleur"
5. Réinsérer le connecteur RS-485 dans la boîte de jonction.

6. Positionner les commutateurs DIP 1 et 2 à la position ON (marche) et les commutateurs DIP 3 et 4 à la position OFF (arrêt). Voir "Figure 6. Câblage JEP-R VSP contrôleur"

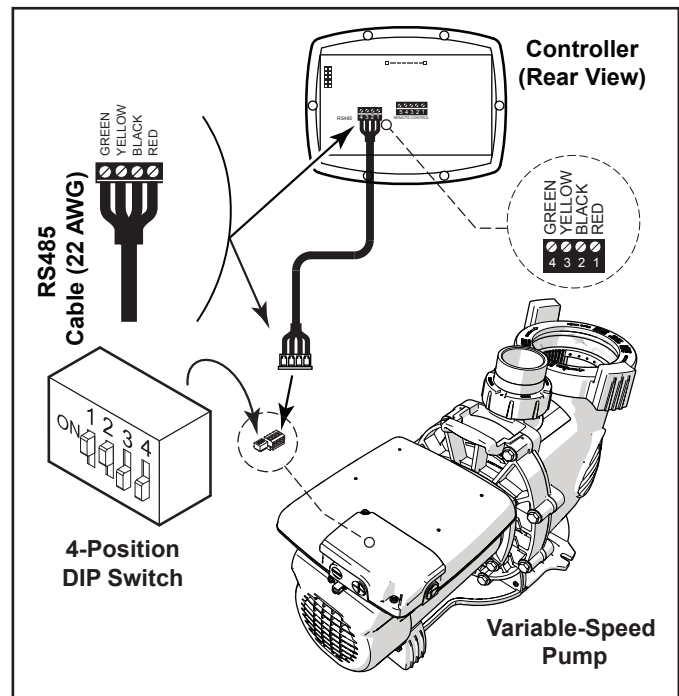


Figure 6. Câblage JEP-R VSP contrôleur

7. Raccorder l'autre extrémité du câble au régulateur. Faire correspondre les couleurs des fils avec les positions. Voir "Figure 6. Câblage JEP-R VSP contrôleur"
8. Rétablir l'alimentation vers la pompe et vérifier le fonctionnement du régulateur.
9. Se référer au manuel d'utilisation du régulateur à vitesse variable, H0412200, pour faire fonctionner la pompe.

3.2.4.3 Réglages des commutateurs DIP de la pompe

Comme on le voit sur les figures 5 et 6, le commutateur DIP de position présente deux (2) fonctions: sélectionner la direction de la pompe et détermine quel type de contrôleur peut être utilisé avec la pompe.

Table 2. Réglages des commutateurs DIP

Interrupteur 1	Interrupteur 2	Régulateur
OFF (désactivé)	OFF (désactivé)	Valeurs d'usine par défaut
OFF (désactivé)	OFF (désactivé)	AquaLink RS, AquaLink PDA ou AquaLink Z4
ON (activé)	ON (activé)	Régulateur à vitesse variable

Interrupteur 3	Interrupteur 4	Adresse pompe
OFF (désactivé)	OFF (désactivé)	POMPE 1 (réglage par défaut en usine)
ON (activé)	OFF (désactivé)	POMPE 2
OFF (désactivé)	ON (activé)	POMPE 3
ON (activé)	ON (activé)	POMPE 4

3.2.5 Fonctionnement de la charge auxiliaire

La pompe VS PlusHP avec barre de raccordement offre à l'utilisateur l'accès au contact de relais de la charge auxiliaire. Cette terminaison sèche et généralement ouverte est activée dans certaines conditions de fonctionnement et est principalement destinée à être utilisée pour commander des appareils externes qui exigent un débit d'eau dans le système avant de pouvoir fonctionner correctement, comme un chauffe-eau, une pompe d'appoint, un chlorateur à base de sel, etc.

Voir les figures 5 et 6 pour connaître l'emplacement du compartiment. Un couvercle d'accès retenu par une vis cruciforme doit d'abord être retiré.

3.2.5.1 Exigences en matière de raccordement de la charge auxiliaire

⚠ AVERTISSEMENT

DANGER DE CHOC ÉLECTRIQUE

En raison du risque potentiel d'incendie, de choc électrique ou de blessures, les pompes Zodiac® doivent être installées en conformité avec le Code national de l'électricité (NEC®), tous les codes locaux d'électricité et de sécurité et la Loi sur la santé et la sécurité au travail (OSHA). Des copies de la NEC peuvent être commandées auprès de l'Association nationale de protection, 470 Atlantic Ave., Boston, MA 02210, ou auprès de votre organisme local d'inspection gouvernemental.

Au Canada, les pompes Zodiac doivent être installées en conformité avec le Code canadien de l'électricité (CEC).

Les fiches du circuit auxiliaire ont un courant nominal de 230 V/11 A (moy. quadratique). S'assurer que les exigences de l'appareil relié au circuit auxiliaire ne dépassent pas ces valeurs.

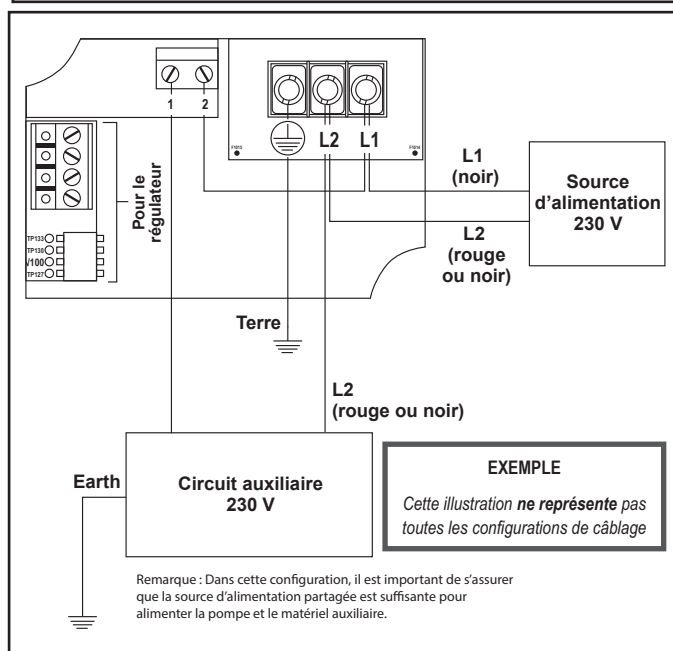


Figure 7. Schéma de câblage des sources d'alimentation partagées de 230 V, de la charge auxiliaire

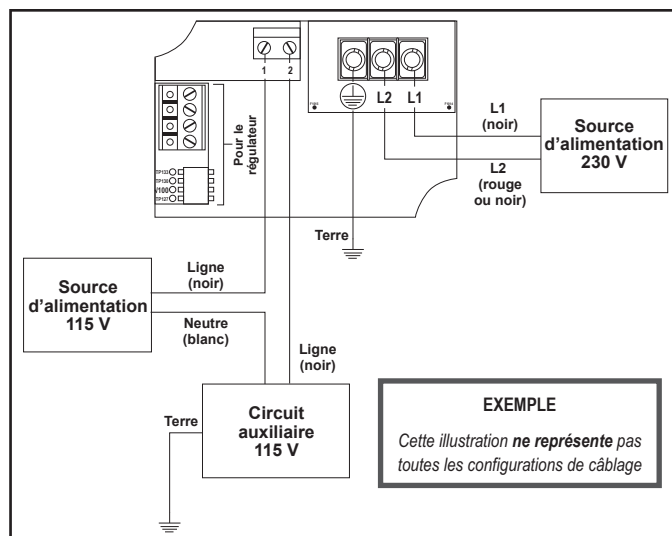


Figure 8. Schéma de câblage des sources d'alimentation partagées de 115 V, de la charge auxiliaire

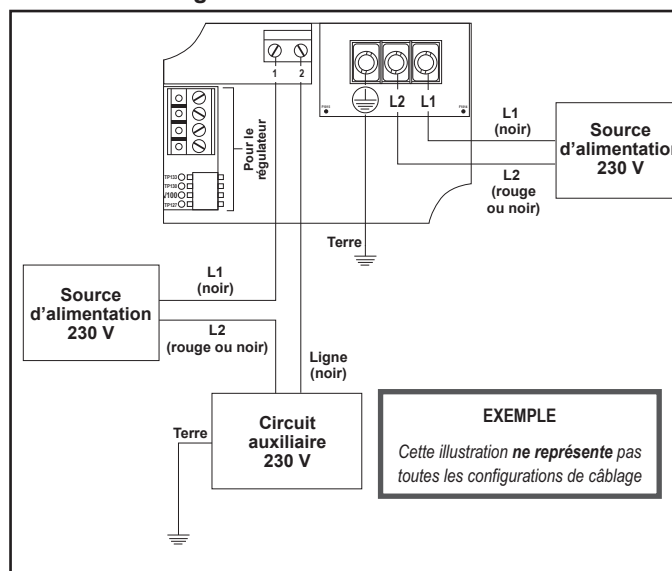


Figure 9. Schéma de câblage des sources d'alimentation partagées de 230 V, de la charge auxiliaire

3.2.6 Caractéristiques de fonctionnement de la charge auxiliaire

L'activation du contact de relais de la charge auxiliaire est en fonction de la vitesse et fonctionne ainsi :

3.2.6.1 Fermeture du circuit

Depuis un régime arrêté, il existe un délai de trois minutes avant que le contact de la charge auxiliaire soit fermé lorsque la vitesse du moteur atteint et maintient une vitesse d'au moins 1 725 tr/min.

Depuis le régime de moins de 1 725 tr/min, un délai de 5 secondes doit s'écouler avant que le circuit auxiliaire soit fermé une fois que le moteur aura atteint et maintient une vitesse d'au moins 1 725 tr/min.

3.2.6.2 Ouverture du circuit

Si la pompe a une vitesse inférieure à 1 725 tr/min, le contact de la charge auxiliaire sera fermé. L'ouverture du circuit est toujours immédiate.

Section 4. Fonctionnement

4.1 Retrait du couvercle de la pompe

1. S'assurer que la pompe est arrêtée.
2. S'assurer que le commutateur au disjoncteur qui actionne le moteur de la pompe est arrêté.

⚠ AVERTISSEMENT

DANGER DE CHOC ÉLECTRIQUE

Désactiver tous les interrupteurs et le disjoncteur principal dans le circuit électrique de la pompe à vitesse variable avant de commencer la procédure. Le fait de ne pas se conformer aux recommandations risque de causer des chocs électriques pouvant résulter en des dommages corporels sévères ou même la mort.

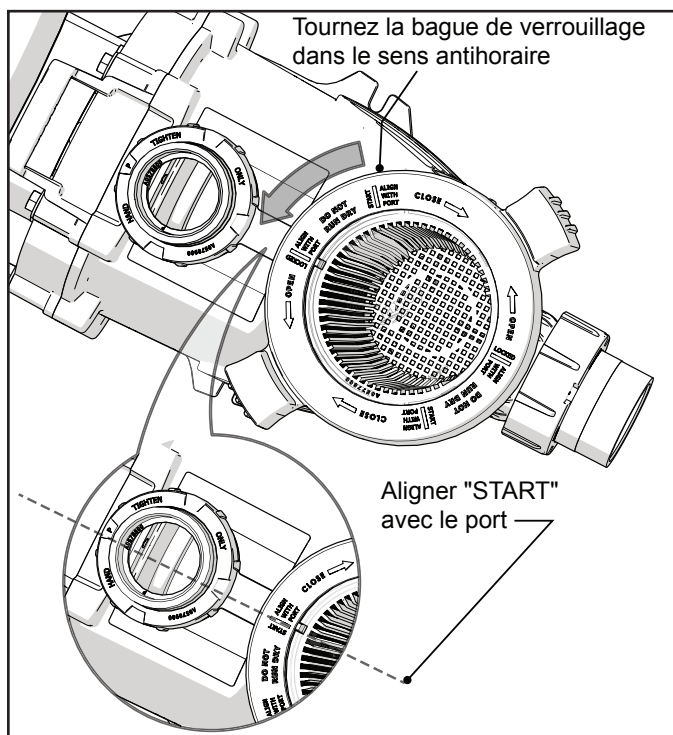


Figure 10. Dégager la bague de verrouillage

⚠ AVERTISSEMENT

DANGER DE CHOC ÉLECTRIQUE

En raison du risque potentiel d'incendie, de choc électrique ou de blessures, les pompes Zodiac® doivent être installées en conformité avec le Code national de l'électricité (NEC®), tous les codes locaux d'électricité et de sécurité et la Loi sur la santé et la sécurité au travail (OSHA). Des copies de la NEC peuvent être commandées auprès de l'Association nationale de protection, 470 Atlantic Ave., Boston, MA 02210, ou auprès de votre organisme local d'inspection gouvernemental.

Au Canada, les pompes Zodiac doivent être installées en conformité avec le Code canadien de l'électricité (CEC).

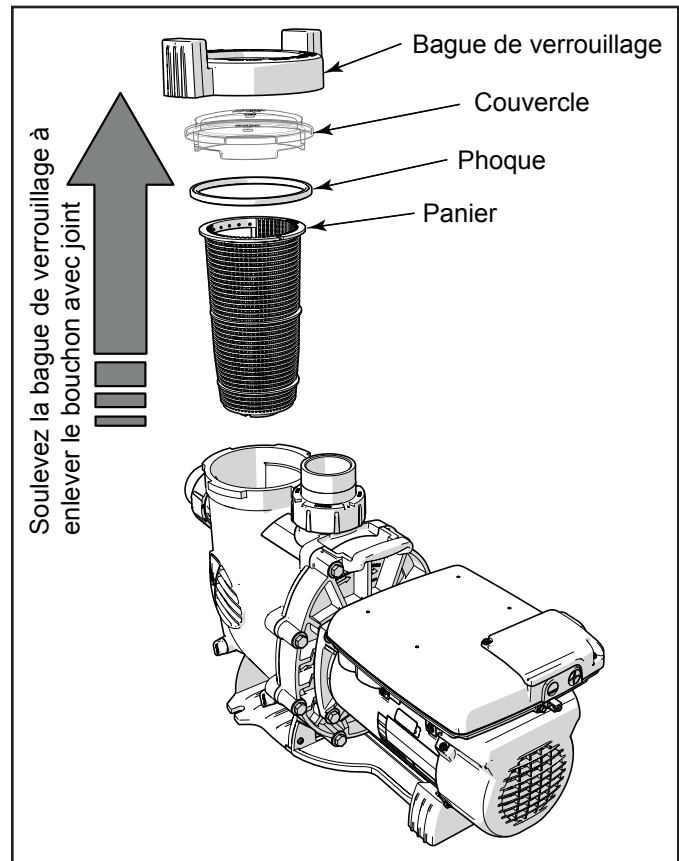


Figure 11. Dépose de la pompe couvercle

3. S'assurer que tous les robinets d'isolement nécessaires sont fermés pour empêcher l'eau de la piscine d'atteindre la pompe.
4. Tourner la bague de verrouillage selon le sens antihoraire jusqu'à ce que le repère « START » s'aligne sur les ports. Voir « Figure 10. Dégager la bague de verrouillage »
5. Enlever soigneusement le couvercle avec la bague de fermeture.

4.2 Conduite d'essai de pression

⚠ AVERTISSEMENT

Lors de l'essai de pression d'un système à l'eau, de l'air est souvent piégé dans le système pendant le processus de remplissage. Cet air se comprime quand le système est sous pression. Si le système s'avère défaillant, cet air piégé peut propulser des débris à haute vitesse et causer des blessures. Aucun effort ne doit être ménagé pour enlever l'air piégé, y compris l'ouverture du robinet de purge du filtre et le desserrage du couvercle du panier-filtre pendant le remplissage de la pompe.

⚠ AVERTISSEMENT

Le piégeage d'air dans le système peut provoquer une ouverture explosive du couvercle du filtre pouvant causer la mort, de graves blessures personnelles ou des dommages matériels. S'assurer que l'air est purgé de façon appropriée du système avant l'utilisation. **NE PAS UTILISER DE L'AIR COMPRIMÉ POUR FAIRE L'ESSAI DE PRESSION OU VÉRIFIER S'IL Y A DES FUITES.**

⚠ AVERTISSEMENT

DANGER DE CHOC ÉLECTRIQUE

Désactiver tous les interrupteurs et le disjoncteur principal dans le circuit électrique de la pompe à vitesse variable avant de commencer la procédure. Le fait de ne pas se conformer aux recommandations risque de causer des chocs électriques pouvant résulter en des dommages corporels sévères ou même la mort.

⚠ AVERTISSEMENT

Au moment de l'essai sous pression d'un système à l'eau, il est très important de s'assurer que le couvercle du panier-filtre de la pompe est complètement fixé.

1. Remplir le système d'eau en faisant attention de bien expulser l'air emprisonné.
2. Pressuriser le système d'eau à **241 kPa (35 psi)** au maximum.
3. Fermer le robinet pour emprisonner l'eau sous pression dans le système.
4. Remarquer la possibilité de fuites ou de chutes de pression.

4.3 Démarrage

⚠ MISE EN GARDE

Ne jamais faire fonctionner la pompe sans eau. Faire fonctionner la pompe « à sec », quelle que soit la durée, peut causer d'importants dommages à la pompe et au moteur et annuler la garantie.

S'il s'agit d'une nouvelle installation de piscine, s'assurer que toute la tuyauterie est dépourvue de débris de construction et que l'essai de pression a été effectué correctement. L'installation du filtre devrait être vérifiée, en s'assurant que toutes les connexions et les attaches sont sécurisées conformément aux recommandations du fabricant.

⚠ AVERTISSEMENT

Pour éviter tout risque de dommage matériel, de blessure grave ou de mort, vérifier que l'alimentation est hors tension avant de commencer cette procédure.

1. Libérer toute la pression du système et ouvrir le détendeur de pression du filtre.

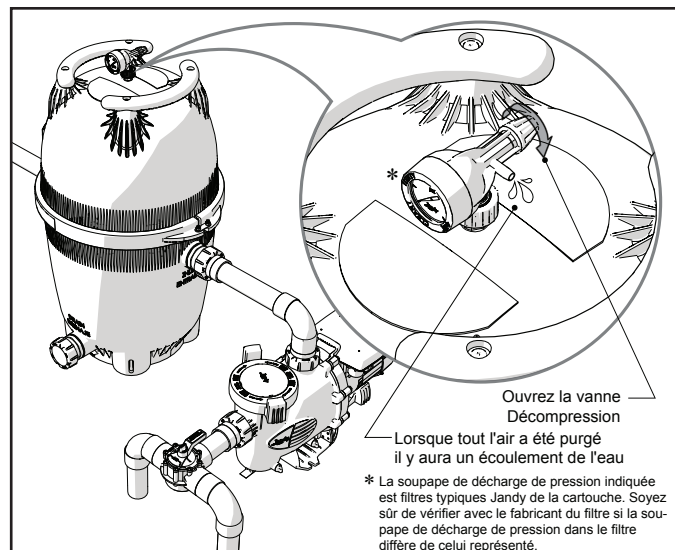


Figure 12. Purger l'air du système

2. Selon l'emplacement de la pompe, effectuer l'une des procédures suivantes :
 - a. Si la pompe est située au-dessous du niveau d'eau de la piscine, ouvrir le clapet de décharge du filtre pour amorcer la pompe avec de l'eau.
 - b. Si la pompe est située au-dessus du niveau de l'eau de la piscine, retirer le couvercle et remplir le panier avec de l'eau avant de démarrer la pompe.
3. Avant de replacer le couvercle, vérifier qu'il n'y a pas de débris autour du joint torique d'étanchéité du couvercle. Les débris autour du joint torique du couvercle causeront une fuite d'air dans le système, et l'amorçage de la pompe se fera difficilement.
4. **Serrer à la main** le couvercle pour une fermeture hermétique. **Ne pas utiliser d'outils pour serrer le couvercle : serrer à la main seulement.** S'assurer que tous les robinets sont ouverts et que les raccords-unions sont étanches.
5. Rétablir l'alimentation vers la pompe et puis la démarrer.
6. Une fois que tout l'air aura été purgé du filtre, fermer le clapet de décharge.
7. La pompe devrait s'amorcer. Le temps d'amorçage dépendra de l'élévation et de la longueur des tuyaux utilisés pour le tuyau d'alimentation par aspiration. Si la pompe ne s'amorce pas, bien que toutes les instructions aient été suivies, vérifier s'il n'y a pas une fuite d'aspiration. S'il n'y a pas de fuite, répéter les étapes 2 à 7.
8. Pour une assistance technique, appeler le service technique de Zodiac® au 1.800.822.7933.

Section 5. Entretien

5.1 Entretien de routine

⚠ MISE EN GARDE

Pour éviter d'endommager le plastique, n'utiliser aucun lubrifiant ou scellant sur le joint torique. Seule de l'eau savonneuse devrait être utilisée pour installer et lubrifier le joint torique.

Inspecter le panier de débris de la pompe en regardant à travers son couvercle transparent. Enlever tous les débris parce qu'au fur et à mesure de leur accumulation, ils commenceront à bloquer l'écoulement de l'eau à travers la pompe. Maintenir le panier propre pour améliorer le fonctionnement de la pompe.

1. Couper l'alimentation électrique de la pompe. Si la pompe est située en dessous du niveau de l'eau, fermer les clapets d'isolement des côtés aspiration et refoulement de la pompe afin d'empêcher le reflux de l'eau.
2. Tourner la bague de fermeture du couvercle selon le sens antihoraire jusqu'à ce que le repère « START » s'aligne sur les ports. Enlever soigneusement le couvercle.

⚠ MISE EN GARDE

Un panier-filtre mal aligné empêchera le bon placement du couvercle, permettant une fuite d'air qui pourrait endommager la pompe.

3. Soulever le panier-filtre hors de la pompe. Retirer les débris et nettoyer soigneusement le panier-filtre, en s'assurant que tous les trous sont dégagés. À l'aide d'un tuyau d'arrosage de jardin, asperger le panier-filtre de l'extérieur pour aider au dégagement des trous. Retirer tout débris résiduel à la main.
4. Remplacer le panier dans la pompe en alignant l'ouverture avec le tuyau d'aspiration. Si l'alignement est bien fait, le panier-filtre tombera facilement en place. **Ne pas le forcer en place.**
5. Retirer le joint du couvercle et les débris autour du siège du joint du couvercle, car cela peut laisser infiltrer l'air dans le système. Nettoyer le couvercle et le remplacer sur le couvercle.

NOTE Assurez-vous que le joint du couvercle est correctement orienté.

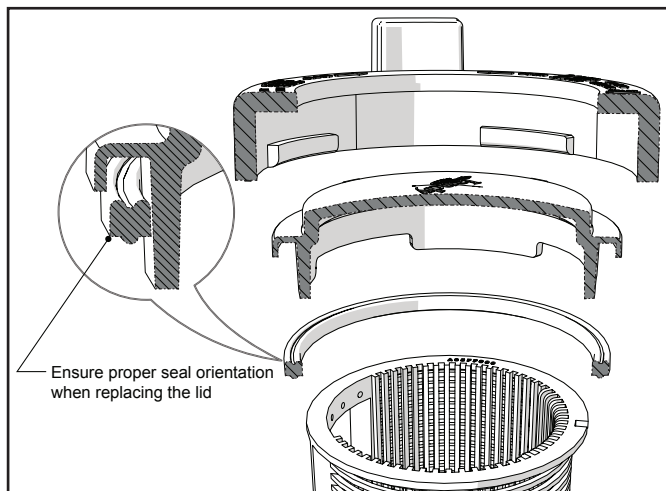


Figure 13. Replace Lid and Seal

6. Remplacer le couvercle avec la bague de verrouillage. Alignez 'START' avec les ports et tourner dans le sens horaire la bague de verrouillage jusqu'à ce que « LOCKED » s'aligne avec les ports. **Serrer le couvercle à la main** pour une fermeture hermétique. **Ne pas utiliser d'outils pour serrer le couvercle. Serrer à la main seulement.**
7. Vérifier que tous les robinets ont été replacés à la position correcte pour l'utilisation normale.
8. Ouvrir le détendeur de pression sur le filtre et s'assurer qu'il est propre et prêt à fonctionner.
9. Rétablir l'alimentation électrique de la pompe. Dès que tout l'air est expulsé du filtre, fermer le détendeur de pression.

5.2 Hivernage de la pompe

⚠ MISE EN GARDE

La pompe doit être protégée lorsque des températures glaciales sont prévues. Laisser la pompe geler l'endommagera gravement et annulera la garantie.

⚠ MISE EN GARDE

Ne pas utiliser d'antigel dans les systèmes de piscine, de spa ou de jacuzzi! Les antigels sont hautement toxiques et peuvent endommager le système de circulation. La seule exception est le propylène glycol. Pour de l'information supplémentaire, se référer à votre fournisseur local de piscine ou de spa ou communiquer avec une société agréée en services de piscine.

1. Drainer **toute** l'eau de la pompe, de l'équipement du système et de la tuyauterie.
2. Retirer les deux (2) bouchons de vidange. Garder les bouchons de vidange en lieu sûr et les réinstaller quand la saison froide est passée. **S'assurer que les joints toriques des bouchons de vidange ne sont pas mal alignés.**
3. Garder le moteur sec et couvert. Ne pas recouvrir la pompe avec du plastique, parce que cela peut entraîner de la condensation qui l'endommagera.

NOTE Zodiac Pool Systems, Inc. recommande qu'un technicien qualifié ou un électricien déconnecte de façon appropriée le câblage électrique de la boîte de commutation ou de jonction. Dès que l'alimentation est coupée, desserrer les deux (2) raccords-unions et ranger la pompe à l'intérieur. Pour des raisons de sécurité et pour empêcher la pénétration de contaminants, remplacer tous les couvercles de boîtes de dérivation et de connexions.

4. Lorsque le système est rouvert pour le fonctionnement, un technicien qualifié ou un électricien doit s'assurer que toutes les canalisations, les robinets, le câblage et l'équipement sont conformes aux recommandations du fabricant. Faire particulièrement attention au filtre et aux connexions électriques.
5. La pompe doit être amorcée avant le démarrage. Se référer à la "4.3 Démarrage"

Section 6. Dépannage et réparation

Zodiac® recommande fortement d'appeler un technicien de service agréé pour effectuer toute réparation sur le système de filtre/pompe. Pour trouver un technicien qualifié, consulter les pages jaunes locales ou visiter le site Web www.zodiacpoolsystems.com et cliquer sur « Trouver un concessionnaire ».

Symptôme	Cause/Solution possible
Débit réduit et retourné à la piscine et/ou moins d'eau tiré dans écumoire.	Vérifier que les paniers d'écumaires, les paniers-filtres et autres tamis sont propres. Nettoyer au besoin. Vérifier le filtre et nettoyer au besoin. Vérifier les positions des robinets. Ajuster au besoin. REMARQUE De multiples pièces d'équipement fonctionnant en même temps (par exemple, les cascades, les jets de spa et les retours de surface) auront une incidence sur le fonctionnement approprié du système de nettoyage. Vérifier le manuel de nettoyage du système pour s'assurer que le système est réglé conformément aux recommandations du fabricant.
Bulles présentes dans le panier de la pompe.	Il y a de l'air dans le système. Vérifier le niveau d'eau de la piscine ou du spa pour s'assurer qu'il est au bon niveau et que l'air n'est pas tiré dans la canalisation d'aspiration. Si l'eau est à un niveau normal, couper la pompe. Tourner la bague de verrouillage dans le sens antihoraire jusqu'à ce que le mot « START » (mise en marche) soit aligné sur les ports. Enlever le couvercle et vérifier qu'il n'y a pas de débris autour du siège d'étanchéité du couvercle ou que l'installation de joint d'étanchéité du couvercle est adéquate car aucun de ces deux inconvénients causera des fuites d'air dans le système. Nettoyer le couvercle d'étanchéité et le remplacer sur le couvercle. Remplacer le couvercle du boîtier de la pompe. Aligner le repère « START » sur les ports et tourner la bague de fermeture selon le sens horaire jusqu'à ce que le repère « LOCKED » s'aligne sur les ports. Serrer le couvercle à la main pour une fermeture hermétique. Ne pas utiliser d'outils pour serrer le couvercle. Redémarrer la pompe.

Symptôme	Cause/Solution possible
Les fuites d'air sont encore présentes.	Vérifier le raccord-union du côté de la tuyauterie d'aspiration. Pendant que la pompe fonctionne, essayer de serrer le raccord-union. Si cela n'arrête pas la fuite d'air, couper l'alimentation de la pompe. Desserrer les deux raccords-unions et glisser la pompe pour l'éloigner de son emplacement. Retirer, nettoyer et reposer les deux joints toriques de raccord. Repositionner la pompe près de la tuyauterie et fixer solidement les boulons de raccord-union à la pompe. À l'aide de raccords-unions et de joints toriques propres, le serrage des raccords-unions devrait sceller le tout. Si les raccords-unions ne scellent pas, serrer délicatement avec une grande paire de pince multiprise. Ne serrer pas plus qu'il ne faut.
Il n'y a pas d'air dans le système, mais la pression est encore faible.	Il est possible que des débris soient coincés dans la turbine de la pompe. La turbine de la pompe déplace l'eau, et les pales de la turbine peuvent être bloquées par des débris. Voir la Section 6.1, Service et maintenance et rotor bloqué, dans le présent manuel pour des renseignements supplémentaires.
Il n'y a pas de débris bloquant la turbine et la pression est toujours faible.	La turbine de la pompe et le diffuseur présentent des signes d'usure normale. Faire vérifier et remplacer au besoin la turbine et le diffuseur par un technicien d'entretien agréé. Si la pompe fait partie d'une installation relativement nouvelle, cela pourrait être un problème électrique. Communiquer avec un technicien en entretien et en réparation agréé. Faire vérifier par un technicien que des connexions électriques ne soient pas lâches et qu'il examine la tension du moteur de la pompe en fonctionnement. La tension doit être celle indiquée sur la plaque d'identification du moteur, à 10 % près. Si la tension n'est pas à 10 % près, communiquer avec un électricien agréé ou le fournisseur local en électricité. Le joint d'étanchéité de la pompe a une fuite d'air. Faire remplacer le joint d'étanchéité par un technicien en entretien et en réparation agréé.
La pompe a une fuite d'eau entre le moteur et le corps de la pompe.	Elle est causée par une garniture mécanique endommagée ou défectueuse. Remplacer la garniture mécanique.

Symptôme	Cause/Solution possible
La pompe s'échauffe et s'éteint périodiquement.	S'assurer qu'il y a suffisamment de place autour du moteur pour faire circuler l'air et garder le moteur froid. Faire vérifier par un technicien agréé que des connexions ne soient pas lâches et qu'il examine la tension du moteur de la pompe en fonctionnement. La tension doit être celle indiquée sur la plaque d'identification du moteur, à 10 % près. Si la tension n'est pas à 10 % près, communiquer avec un électricien agréé ou le fournisseur local en électricité.
La pompe ne démarrera pas.	Aucun courant à la pompe. S'assurer que la pompe est correctement reliée à la tension. Voir la Section 3.2, Installation électrique, dans ce manuel.
	Câblage de base tension erroné. Vérifier le câblage de basse tension entre la pompe et le régulateur. Effectuer les corrections si nécessaire. Voir la Section 3.2, Installation électrique, dans ce manuel.
	La configuration d'adresse de la pompe est inexacte. S'assurer que les commutateurs DIP 3 et 4 de la pompe sont réglés de façon appropriée pour l'installation. Les deux devraient être désactivés pour utilisation avec un régulateur à vitesse variable ou réglés sur l'adresse appropriée lorsqu'ils sont raccordés à un régulateur AquaLink® RS, AquaLink PDA ou AquaLink Z4. Voir la Section 3.3, Réglages des commutateurs DIP de la pompe VS-FHP, dans le présent manuel. Remarque : la pompe VS-FHP1.0 devrait toujours avoir le commutateur DIP 5 réglé sur ON (activé) pour les deux régulateurs.
	La condition de panne existe. Regarder le message de défaut sur le régulateur et corriger le défaut avant de continuer. En cas d'incertitude quant à la marche à suivre pour le dépannage, appeler le soutien technique de Zodiac® au +1 (800) 822-7933. Au Canada, appeler le +1 (888) 647-4004

Symptôme	Cause/Solution possible
L'ECL du régulateur à vitesse variable n'affiche aucune information OU les DEL de la pompe ne sont pas éclairés.	Configuration incorrecte du commutateur DIP. S'assurer que les commutateurs DIP 1 et 2 de la pompe sont tous les deux à la position ON (activés) s'il s'agit d'un régulateur JEP-R, et à la position OFF (désactivés) s'il s'agit d'un régulateur AquaLink PDA, AquaLink RS ou AquaLink Z4. Voir la Section 3.3, Réglages des commutateurs DIP de la pompe VS-FHP, dans le présent manuel. Remarque : la pompe VS-FHP1.0 devrait toujours avoir le commutateur DIP 5 réglé sur ON (activé) pour les deux régulateurs.
	Câblage de base tension erroné. Vérifier le câblage de basse tension entre la pompe et le régulateur. Effectuer les corrections si nécessaire. Voir la Section 3.2, Installation électrique, dans ce manuel.
Le régulateur affiche « Pump not connected » (pompe non raccordée).	Câblage de base tension erroné. Vérifier le câblage de basse tension entre la pompe et le régulateur. Effectuer les corrections si nécessaire. Voir la Section 3.2, Installation électrique, dans ce manuel.
	La configuration d'adresse de la pompe est inexacte. S'assurer que les commutateurs DIP 3 et 4 de la pompe sont réglés de façon appropriée pour l'installation. Les deux devraient être à la position OFF (désactivés) pour utilisation avec un régulateur à vitesse variable ou réglés sur l'adresse appropriée lorsqu'ils sont raccordés à un régulateur AquaLink® RS, AquaLink PDA ou AquaLink Z4. Voir la Section 3.3, Réglages des commutateurs DIP de la pompe VS-FHP, dans le présent manuel. Remarque : la pompe VS-FHP 1.0 devrait toujours avoir le commutateur DIP 5 réglé à la position ON (activé) pour les deux régulateurs.
Le message de défaut apparaît sur l'affichage du régulateur.	La condition de panne existe. Regarder le message de défaut sur le régulateur et corriger le défaut avant de continuer. En cas d'incertitude quant à la marche à suivre pour le dépannage, appeler le soutien technique de Zodiac au +1 (800) 822-7933. Au Canada, appeler le +1 (888) 647-4004

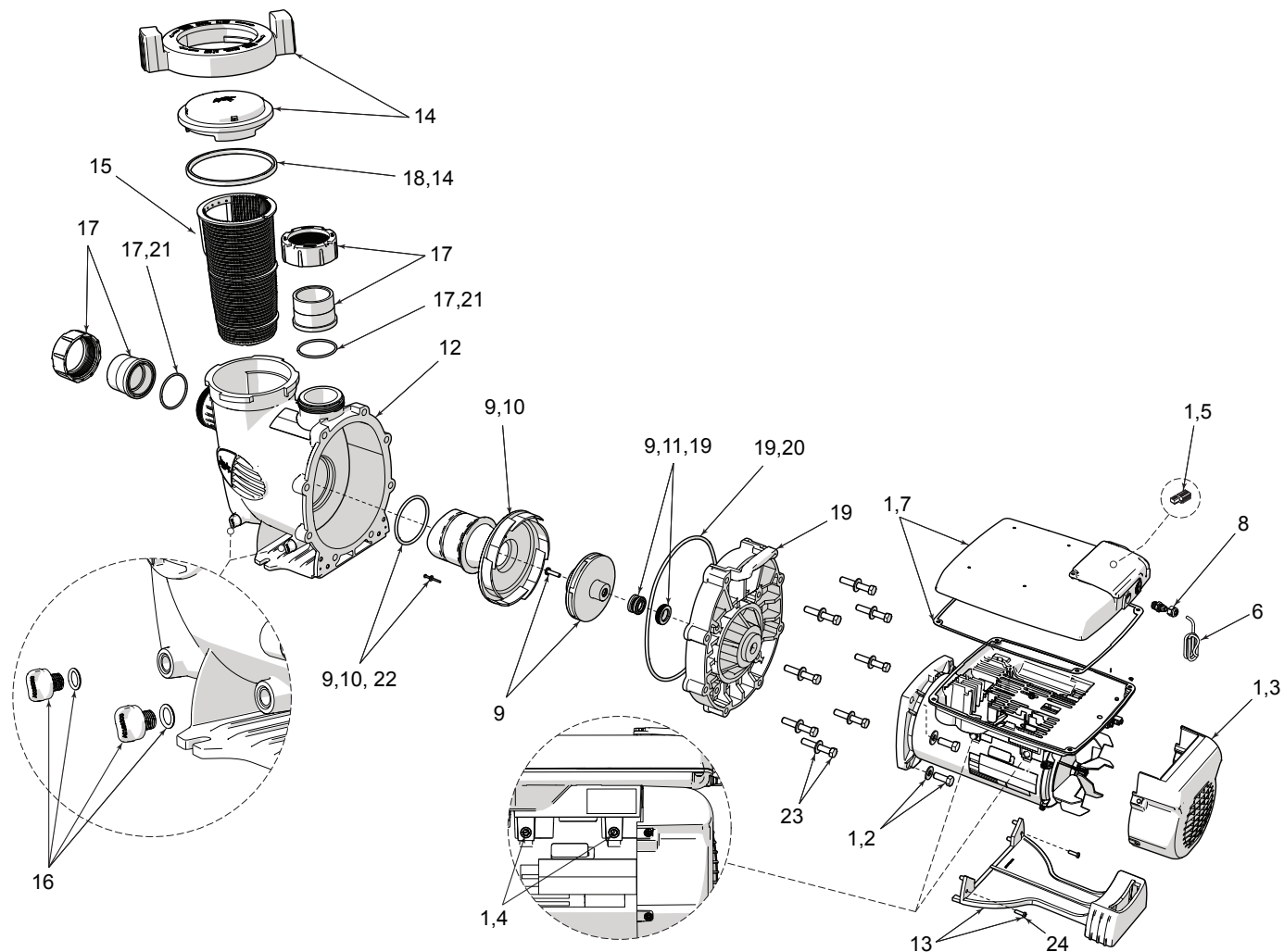
Section 7. Caractéristiques du produit et données techniques

7.1 Liste et vue éclatée des pièces de rechange

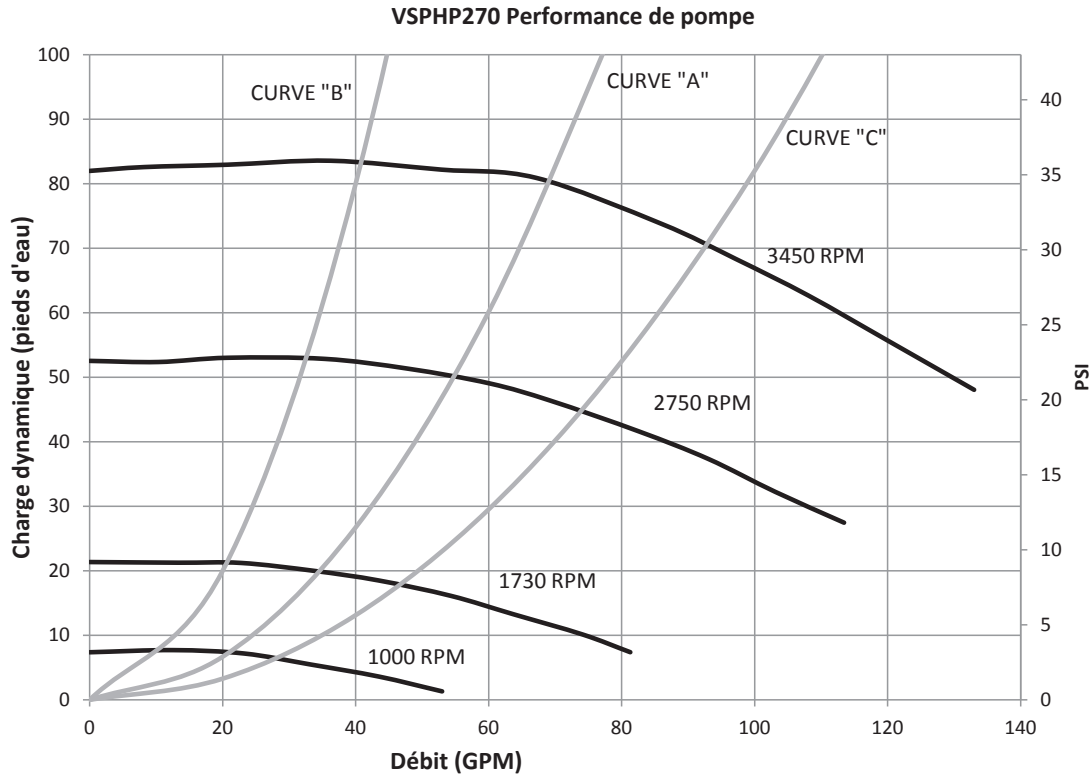
Pour commander ou acheter des pièces pour les pompes Zodiac®, prière de communiquer avec votre concessionnaire Zodiac le plus près. Si le concessionnaire Zodiac ne peut répondre aux besoins, prière de communiquer avec le service technique Zodiac au 1 800 822-7933 ou envoyer un courriel à productsupport@zodiac.com.

Clé No	Description	Numéro de la pièce commandée	Clé No	Description	Numéro de la pièce commandée
1	Entraînement du moteur	R0562201	13	Pied de fixation du moteur avec des vis	R0445700
2	Ensemble de matériel pour le moteur	R0446700	14	Couvercle avec bague de verrouillage, (couvercle avec bague de verrouillage et joint torique)	R0448800
3	Couvercle du ventilateur, ensemble de remplacement GEN II (quincaillerie, couvercle)	R0562400	15	Panier de filtre de débris de la pompe	R0448900
4	Quincaillerie de l'entraînement, GEN II	R0562500	16	Bouchon de vidange avec joint torique	R0446000
5	Connecteur, entraînement, pompe VS-FHP (connecteur à 4 broches)	R0660900	17	About, joint torique et écrou union	R0449000
6	Câble, RS485, ensemble de remplacement	R0535100	18	le joint torique et le joint de couvercle (joint torique pour le couvercle non représenté)	R0449100
7	Couvercle, grand, commande des vitesses avec joint, GEN II	R0562300	19	Plaque arrière, (plaque arrière avec quincaillerie, joint torique et joint mécanique de la plaque arrière)	R0445200
8	Câble de données, Par enfilade	R0501100	20	Joint torique de la plaque arrière	R0446300
9	Rotor et Diffuseur, (rotor, vis avec joint torique) PHPM	R0445305	21	Joint torique de l'about	R0449200
10	Diffuseur, (avec joint torique et quincaillerie joint torique)	R0445400	22	Quincaillerie du diffuseur/de la turbine et joint torique	R0446500
11	Joint mécanique, carbone et céramique	R0479400	23	Quincaillerie de la plaque arrière	R0446600
12	Corps de la pompe	R0448700	24	Pied de fixation du moteur des vis	R0446800

7.2 Vues éclatées



7.3 Courbes de performance

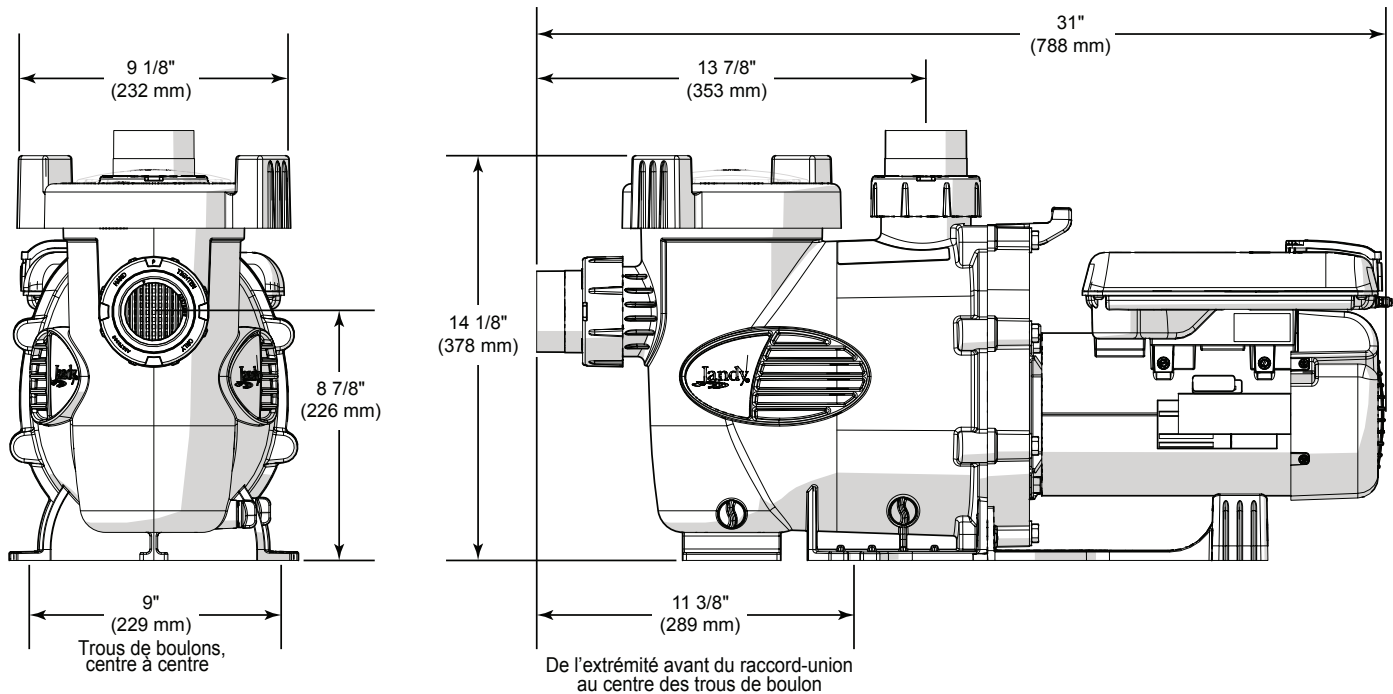


7.4 Spécifications physiques et fonctionnelles

7.4.1 Spécifications

Numéro de modèle	HP	TENSION	Maximum de watts	Dimensions de la canalisation	Poids du carton	Longueur globale 'A'
VSPHP270	0.25 - 2.7	230 VAC	2,250W	2½ - 3"	50 lbs.	30 3/8"

7.4.3 Dimensions de la pompe PHP



NOTES



CONFORMS TO UL 1081
CERTIFIED TO CSA C22.2 NO 108

Zodiac Pool Systems, Inc.
2620 Commerce Way, Vista, CA 92081
1.800.822.7933 | www.ZodiacPoolSystems.com



ZODIAC® est une marque déposée de Zodiac International, S.A.S.U., utilisée sous licence.
Toutes les marques de commerce et marques déposées susmentionnées dans le présent document
sont la propriété de leurs propriétaires respectifs.

©2014 Zodiac Pool Systems, Inc. H0490000 REVC



MANUAL DE INSTALACIÓN Y OPERACIÓN

ESPAÑOL



Bombas de Serie Jandy Pro VS PlusHP Modèles VSPHP270JEP & VSPHP270AUT



⚠ WARNING

PARA SU SEGURIDAD - Este producto debe ser instalado y mantenido por un contratista con la licencia y la capacitación necesarias para trabajar con equipos para piscinas otorgadas por la jurisdicción donde se instalará el producto en caso de que existan tales requisitos estatales o locales. La persona que realice la instalación o el mantenimiento debe ser un profesional con experiencia suficiente en la instalación y el mantenimiento de equipos para piscinas de tal manera que pueda seguir al pie de la letra todas las instrucciones de este manual. Antes de instalar este producto, lea y siga todas las instrucciones y preste atención a las advertencias en el manual adjunto. No prestar la debida atención a las advertencias y las instrucciones puede ocasionar daños a la propiedad, lesiones personales e incluso la muerte. La instalación y/o la operación incorrectas serán causa de anulación de la garantía.



La instalación y la operación incorrectas pueden crear un riesgo eléctrico imprevisto que puede ocasionar lesiones graves, daños a la propiedad e incluso la muerte.

ATENCIÓN INSTALADOR - Este manual contiene información importante acerca de la instalación, operación y utilización segura de este producto. Esta información debe ser entregada al propietario u operador de este equipo.

ÍNDICE

Sección 1. INSTRUCCIONES DE SEGURIDAD IMPORTANTES	43	3.2.5.1 Requisitos de conexión de la carga auxiliar.....	51
1.1 Instrucciones de seguridad.....	43	3.2.6 Características de operación de la carga auxiliar.....	51
1.2 Pautas de prevención de atrapamiento por succión de la bomba de la piscina	45	3.2.6.1 Cierre del contacto	51
		3.2.6.2 Apertura del contacto	51
Sección 2. Descripción general	46	Sección 4. Funcionamiento.....	52
2.1 Introducción	46	4.1 Quite la tapa de la bomba	52
2.2 Descripción	46	4.2 Realice una prueba de presión.....	52
2.3 Preparación	46	4.3 Arranque.....	53
Sección 3. Instalación.....	46	Sección 5. Mantenimiento	53
3.1 Plomería	46	5.1 Mantenimiento de rutina	53
3.1.1 Ubicación de la bomba	46	5.2 Preparación para el invierno.....	54
3.1.2 Pipe Sizing	47	Sección 6. Localización de averías y reparación	54
3.1.3 Recomendaciones de instalación	47	Sección 7. Especificaciones del producto y datos técnicos	57
3.2 Instalación eléctrica	48	7.1 Lista de piezas de repuesto y plano de despiece....	57
3.2.1 Pruebas de voltaje	48	7.2 Exploded View	57
3.2.2 Conexiones eléctricas y puesta a tierra	48	7.3 Curvas de rendimiento.....	58
3.2.3 Cableado eléctrico	49	7.4 Especificaciones físicas y operacionales.....	58
3.2.4 Opciones del controlador	49	7.4.1 Especificaciones	58
3.2.4.1 Para instalar un controlador AquaLink® ..	49		
3.2.4.2 instalar con el controlador de velocidad variable JEP-R	50		
3.2.4.3 Configuración del interruptor DIP	50		
3.2.5 Operación de carga auxiliar	51		

REGISTRO DE INFORMACIÓN DEL EQUIPO

FECHA DE INSTALACIÓN _____

INFORMACIÓN DEL INSTALADOR _____

LECTURA INICIAL DEL MEDIDOR DE PRESIÓN (CON EL FILTRO LIMPIO) _____

MODELO DE BOMBA _____ CABALLO DE FUERZA _____

NOTAS: _____

Sección 1. INSTRUCCIONES DE SEGURIDAD IMPORTANTES

LEA Y SIGA ESTAS INSTRUCCIONES

1.1 Instrucciones de seguridad

Todo el trabajo de electricidad deberá realizarlo un electricista certificado de conformidad con todos los códigos nacionales, estatales y regionales. Cuando se instale y utilice este equipo eléctrico, siempre se deberán seguir las siguientes precauciones básicas de seguridad:

ADVERTENCIA

RIESGO DE PELIGRO DE ATRAPAMIENTO POR SUCCIÓN QUE, SI NO SE EVITA, PUEDE RESULTAR EN LESIONES GRAVES O LA MUERTE. No bloquee la succión de la bomba, ya que esto puede causar lesiones graves o la muerte. No use esta bomba en piscinas para niños, piscinas de poca profundidad, o spas con drenajes en el fondo, a menos que la bomba esté conectada a por lo menos dos (2) puntos de succión funcionales. Los ensamblajes de la boca de succión (drenaje) y sus tapas deben estar certificados según la última edición publicada de ANSI®/ASME® A112.19.8 o su norma sucesora, ANSI/APSP-16.

ADVERTENCIA

Para reducir el riesgo de lesión, no permita que los niños usen este artefacto.

ADVERTENCIA

Para reducir el riesgo de daños materiales o lesiones personales, no intente cambiar la posición de la válvula de retrolavado (multiorificio, deslizamiento o caudal completo) con la bomba en funcionamiento.

ADVERTENCIA

Las bombas Serie Pro de Jandy son accionadas por un motor eléctrico de alto voltaje y deben ser instaladas por un electricista con licencia (o certificado) o por un técnico que esté calificado en servicio de piscinas.

ADVERTENCIA

RIESGO DE DESCARGA ELÉCTRICA, INCENDIO, LESIONES PERSONALES O MUERTE. Conectar solamente a un ramal del circuito que esté protegido por un interruptor de circuito por falla a tierra (GFCI). Contacte a un electricista autorizado si no puede verificar que el circuito está protegido por un GFCI. El instalador debe proporcionar un GFCI (Interruptor de circuito por falla a tierra) y este se debe probar de manera rutinaria. Para probar el GFCI, presione el botón de prueba. El GFCI debe interrumpir la energía. Presione el botón Reset. Se debe restablecer la energía. Si el GFCI no funciona de esta forma, significa que está defectuoso. Si el GFCI interrumpe la energía hacia la bomba sin presionar el botón de prueba, quiere decir que la corriente de tierra está circulando sin problemas, lo que indica la posibilidad de una descarga eléctrica. No utilice el dispositivo. Desconecte el dispositivo y solicite a un representante de servicio calificado que solucione el problema antes de utilizarlo

- Debido al riesgo potencial de incendio, choque eléctrico o lesiones a las personas, las bombas Serie Pro de Jandy se deben instalar de acuerdo con el National Electrical Code® (NEC®), todos los códigos eléctricos y de seguridad locales, y la Ley de Seguridad y Salud Ocupacional de EEUU (OSHA). Pueden solicitarse copias del código NEC a la National Fire Protection Association, con dirección 470 Atlantic Ave., Boston, MA 02210, o a su agencia gubernamental de inspección.

ADVERTENCIA

Los equipos instalados incorrectamente pueden fallar y causar lesiones graves o daños materiales.

ADVERTENCIA

- No conecte el sistema a una red de agua no regulada de la ciudad, o a otra fuente externa de agua presurizada que produzca presiones mayores a 35 psi.
- Arrancar la bomba cuando hay aire comprimido en el sistema puede hacer que la tapa del filtro salga expulsada, lo que puede causar serias lesiones e incluso la muerte o daños a la propiedad. Antes de operar asegúrese de que todo el aire del sistema haya salido.

ADVERTENCIA

Para minimizar el riesgo de muerte o graves lesiones el filtro y/o la bomba no pueden someterse a la prueba de presurización del sistema de tuberías.

Las normas locales pueden requerir que el sistema de tuberías de la piscina sea sometido a una prueba de presión. Por lo general, estos requisitos no tienen la intención de aplicarse a equipos de la piscina, tales como filtros y bombas.

Los equipos de piscina Zodiac® se prueban por presión en la fábrica.

Sin embargo, si la ADVERTENCIA no se puede observar y las pruebas de presión del sistema de tuberías deben incluir el filtro y/o la bomba, ASEGÚRESE DE CUMPLIR CON LAS SIGUIENTES INSTRUCCIONES DE SEGURIDAD:

- Compruebe que todas las abrazaderas, pernos, tapas, anillos de bloqueo, y accesorios del sistema estén correctamente instalados y asegurados antes de la prueba.
- **LIBERE TODO EL AIRE** en el sistema antes de la prueba.
- La presión del agua para la prueba **NO DEBE EXCEDER 35 psi**
- La temperatura del agua para la prueba **NO DEBE EXCEDER 100° F (38° C)**.
- Limite la prueba a 24 horas. Después de la prueba, verifique visualmente el sistema para asegurarse de que esté listo para funcionar.

AVISO: Estos parámetros sólo se aplican a los equipos Zodiac®. Para equipos de otras marcas que no sean Zodiac, consulte al fabricante correspondiente.

ADVERTENCIA

Los derrames de productos químicos y los gases pueden debilitar los equipos de la piscina. La corrosión puede producir fallas en los filtros y otros equipos, lo que podría resultar en lesiones graves o daños materiales. No almacene productos químicos para piscinas cerca de sus equipos.

PRECAUCIÓN

¡No arranque la bomba en seco! El funcionamiento de la bomba en seco puede causar daños graves y dejará nula la garantía.

PRECAUCIÓN

Esta bomba es para el uso en piscinas de instalación permanente y también se puede utilizar en tinas de hidromasaje y spas, si así se indica. No la utilice en piscinas portátiles. La piscina permanente está construida dentro o sobre el suelo o en un edificio, de tal manera que no se puede desmontar fácilmente para su almacenamiento. La piscina portátil está construida de manera que puede ser fácilmente desmontada para su almacenamiento y volver a montarse en su estado original.

PRECAUCIÓN

No la instale en un recinto exterior o debajo de la falda de una tina de hidromasaje. La bomba requiere una ventilación adecuada para mantener la temperatura del aire por debajo del rango de temperatura ambiente máxima que aparece en la placa del motor.

SAVE THESE INSTRUCTIONS

1.2 Pautas de prevención de atrapamiento por succión de la bomba de la piscina

⚠ ADVERTENCIA



PELIGRO DE SUCCIÓN. Puede causar lesiones graves o la muerte. No use esta bomba en piscinas para niños, piscinas de poca profundidad o spas con drenajes en el fondo, a menos que la bomba esté conectada a por lo menos dos (2) bocas de succión funcionales.

⚠ ADVERTENCIA

La succión de la bomba es peligrosa y puede atrapar, ahogar y eviscerar a los bañistas. No utilizar ni operar las piscinas, o tinas de hidromasaje si alguna de las tapas de la boca de succión está ausente, rota o suelta. Las siguientes indicaciones proporcionan información para la instalación de la bomba minimizando el riesgo de lesiones para los usuarios de piscinas, spas y tinas de hidromasaje:

- **Protección contra atrapamiento** - El sistema de succión de la bomba debe proporcionar protección contra los peligros de atrapamiento por succión.
- **Tapas de las bocas de succión** - Todas las bocas de succión deben tener tapas instaladas correctamente y atornilladas en su lugar. Debe hacerse mantenimiento adecuado a todas las tapas de las bocas de succión (drenaje). Deben ser sustituidas si están agrietadas, rotas o ausentes. Las tapas del drenaje deben cumplir con la última edición publicada de la norma ANSI®/ASME® A112.19.8, o su norma sucesora, ANSI/APSP-16. Se debe cerrar la piscina y los usuarios no podrán ingresar mientras no se hayan reemplazado las tapas de drenaje faltantes, rotas o agrietadas. No usar la piscina o el spa hasta que se lleva a cabo la reparación o el reemplazo.
- **Número de bocas de succión por bomba** - Deben proporcionarse al menos dos (2) bocas de succión hidráulicamente equilibradas, con sus tapas, como salidas para cada línea de succión de la bomba de circulación. Los centros de las bocas de succión (bocas de succión) en una (1) línea de succión deben estar separados por lo menos tres (3) pies (1 m) de distancia, de centro a centro. Véase Figura 1.
- El sistema debe estar construido para incluir al menos dos (2) bocas de succión (drenajes) conectadas a la bomba siempre que la bomba esté funcionando. Sin embargo, si dos bocas de succión llegan a una sola línea de succión, esta línea de succión individual puede ser equipada con una válvula que cierre las dos bocas de succión. El sistema deberá ser construido de tal manera que no permita el cierre por separado o independiente (aislamiento) de cada uno de los drenajes. Véase "Figura 2. Instalación típica de tubería".
- Se pueden conectar bombas adicionales a una línea de succión única, siempre y cuando se cumplan los requisitos previamente mencionados.
- **Velocidad del agua** - La velocidad máxima del agua que pasa a través de la boca de succión y la tapa de cualquier boca de succión no puede exceder el valor del caudal máximo aprobado para la boca de succión y su tapa. El montaje de la boca de succión (drenaje) y su tapa deben cumplir con la última edición de la norma ANSI®/ASME® A112.19.8, la norma concerniente a aditamentos de succión para el uso en piscinas de natación, piscinas para niños, spas y tinas de hidromasaje, o norma sucesora ANSI/ASME APSP-16.
- **Pruebas y certificación** - Las tapas de las bocas de succión deben haber sido homologadas por un laboratorio de pruebas reconocido a nivel nacional y cumplir con la última edición publicada de la norma ANSI/ASME A112.19.8, o norma sucesora ANSI/APSP-16, la norma concerniente a aditamentos de succión para el uso en piscinas de natación, piscinas para niños, spas y tinas de hidromasaje.
- **Aditamentos** - Aditamentos de restricción de flujo. Para obtener la mejor eficiencia posible utilizar la menor cantidad de aditamentos (pero por lo menos dos (2) bocas de succión).
- Evite los aditamentos que puedan causar bolsas de aire.
- Los aditamentos de limpieza de la succión deben ajustarse a los estándares aplicables de la Asociación Internacional de Fontanería y Operarios Mecánicos (IAPMO).

Sección 2. Descripción general

2.1 Introducción

Este manual contiene información sobre la instalación, la operación y el mantenimiento adecuados de las bombas VS PlusHP Serie Pro de Jandy. Los procedimientos indicados en este manual se deben seguir al pie de la letra. Para obtener copias adicionales de este manual, contacte el Servicio al Cliente de Zodiac® llamando al 800.822.7933 o visite www.zodiacpoolsystems.com

2.2 Descripción

La VS PlusHP es una bomba de velocidad variable que se puede operar desde 600 RPM hasta 3450 RPM. Cuando se conecta al Controlador JEP-R, se pueden programar y almacenar un máximo de ocho (8) ajustes de velocidad. Esto le permite seleccionar la velocidad más adecuada para su aplicación. Una programación aun más versátil es posible usando el controlador AquaLink® RS, el AquaLink PDA o el AquaLink Z4.

La bomba se acciona mediante un ECM (motor de conmutación electrónica) de velocidad variable adosado directamente al impulsor de la bomba. Lo que obliga a que el agua fluya. La variabilidad de la velocidad permite flujo óptimo durante los ciclos de bombeo diferentes. Como resultado, la eficiencia energética de la bomba se maximiza que significa ahorro de costos para el propietario de la piscina y al mismo tiempo ayuda a proteger el medio ambiente.

2.3 Preparación

1. Revise si la caja presenta daños. Abra la caja y revise si la bomba presenta daños tales como grietas, abolladuras o la base doblada. Si encuentra algún daño, póngase en contacto con el remitente o el distribuidor donde adquirió la bomba.
2. Inspeccione el contenido de la caja y verifique que todas las piezas estén incluidas, véase “Figura 1. Contenido de la caja”.

Sección 3. Instalación

3.1 Plomería

3.1.1 Ubicación de la bomba

1. Zodiac Pool Systems, Inc. recomienda la instalación de la bomba no mas de 30 cms. Sobre el nivel del agua. La bomba no debe ser instalada más de cinco (5) pies (1,52 m) por encima del nivel del agua de la piscina.

NOTA La bomba está certificada por la NSF por tener la capacidad de cebar a alturas de hasta 10 pies (3,04 m) por encima del nivel del agua. Sin embargo, para lograr un mejor autocebado, instale la bomba lo más cerca posible del nivel de agua de la piscina.

2. Si la bomba se ubica por debajo del nivel del agua, deben instalarse válvulas de aislamiento tanto en la línea de succión como en la de retorno para evitar el reflujo del agua de la piscina durante cualquier servicio de rutina o necesario.

⚠ WARNING

La válvula antirretorno puede interferir con el funcionamiento correcto de determinados productos del sistema de liberación de vacío por succión (SVRS). Para evitar el riesgo potencial de quedar atrapado, sufrir lesiones graves o incluso la muerte, asegúrese de revisar el manual de funcionamiento/del usuario de su producto SVRS, en particular antes de instalar la válvula antirretorno.

NOTA Cuando el equipo de la piscina está ubicado por debajo de la superficie de la piscina, una fuga puede resultar en grandes pérdidas de agua o inundación. Zodiac Pool Systems, Inc., no se responsabiliza por dichas pérdidas o inundaciones ni por el daño causado por estas situaciones.

3. Instale la bomba de forma tal que los medios de desconexión o las cajas terminales de alimentación se encuentren a la vista de la bomba y al menos a cinco (5) pies (1,52 m) horizontalmente del borde de la piscina y/o el spa.

artículo	Descripción	QTY
01	VSPHP27 Bomba	1
02	Manual de instalación y funcionamiento	1
03	Bolsa de cordón grande	1
04	Tuerca de unión universal	2
05	Pieza de cola	2
06	O-Ring	2
Para los modelos VSPHP27JEP sólo		
07	Bolsa de cordón pequeño	1
08	Interface de usuario control universal	1
09	Placa posterior de control universal	1
10	DIP etiqueta del interruptor	1
11	Etiqueta del cable	1
12	Cable de 4 conductores	1
13	Terminal de barra de 4 pines	1
14	Manila	1
15	tornillo de montaje	6

- Para obtener una lista completa de las piezas de recambio? Por favor, consulte la sección 7.1

Figura 1. Contenido de la caja

- Elija un lugar que reduzca al mínimo las curvas en la tubería.

NOTA En Canadá, el Código Eléctrico Canadiense (CEC, CSA C22.1) requiere que se mantenga una distancia mínima de 3 metros (10 pies) del borde de la piscina y/o el spa.

de más de 50 feet aumente el tamaño de la tubería de acuerdo con “Table 1. Dimensiones de tuberías PVC 40”.

3.1.3 Recomendaciones de instalación

- Para ayudar a prevenir problemas en el cebado,

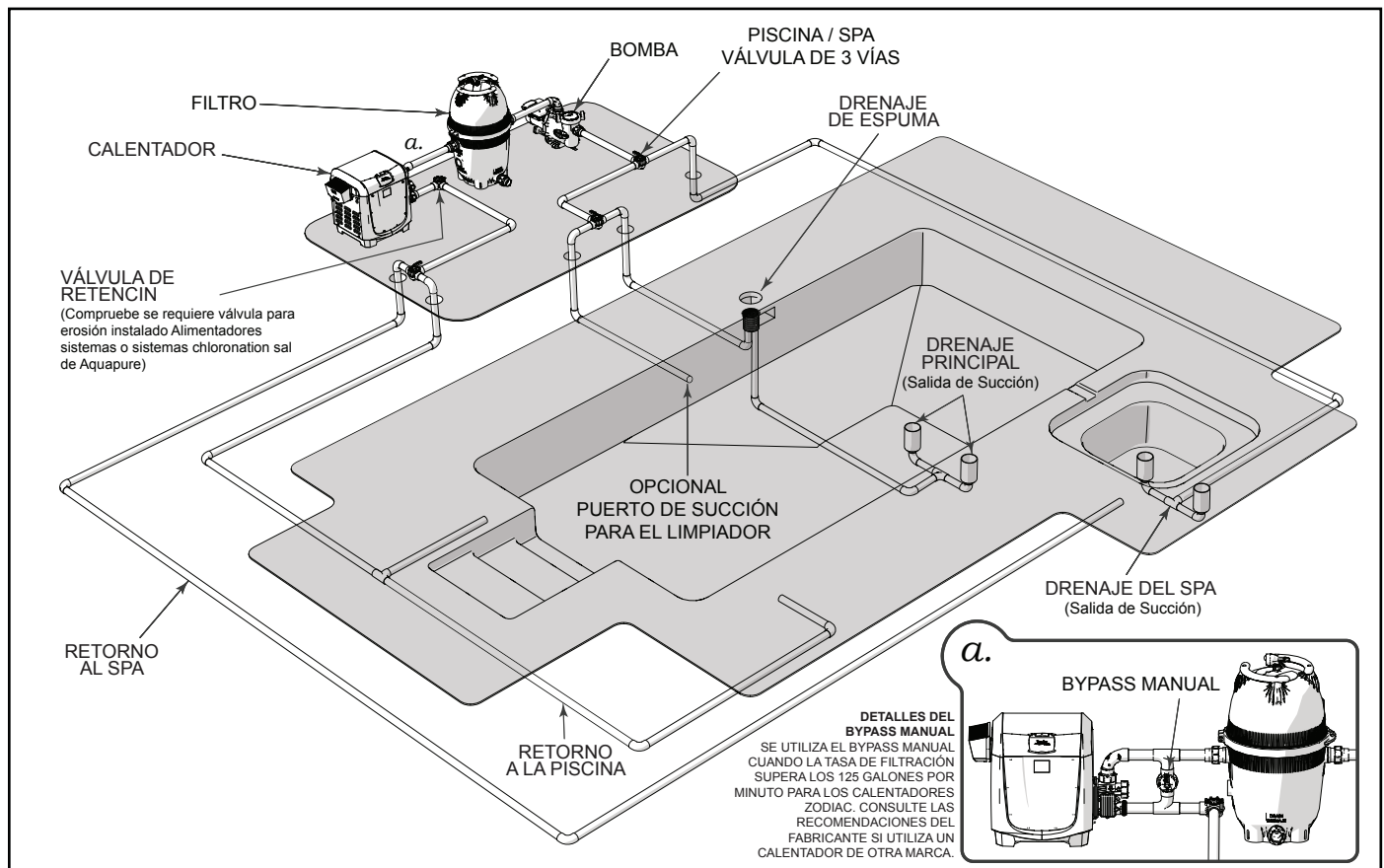


Figura 2. Instalación típica de tubería

- La bomba debe ser colocada sobre una base sólida que no vaya a vibrar.

NOTA: Para reducir aun más la posibilidad de ruido por vibración, fije (con pernos) la bomba a los cimientos, o colóquela sobre una estera de goma.

- La base de la bomba debe tener un drenaje adecuado para evitar que el motor se moje.
- Proteja la bomba de la lluvia y el sol.
- Es necesaria una ventilación adecuada para que la bomba funcione con normalidad. El calor generado por el motor debe ser retirado usando el flujo de aire adecuado
- Proporcione acceso para los futuros servicios dejando espacio suficiente alrededor de la bomba. Deje suficiente espacio por encima de la bomba para quitar la tapa y la cesta para su limpieza.
- Si el equipo está cubierto, proporcione iluminación adecuada.

3.1.2 Pipe Sizing

Cuando la bomba se encuentra dentro de una distancia de 15 metros de la piscina, el tamaño mínimo de la tubería recomendada para la succión y descarga de la bomba es de 2.5 pulgadas (64 mm). Para longitudes

instale la tubería de succión, sin puntos elevados (por encima de la entrada de la bomba - “U” invertida, lo que comúnmente se conoce como cámaras de aire) que puedan atrapar el aire.

- Para instalaciones de equipos dentro de una distancia de hasta 30 metros del agua, consulte la Tabla 1, la tabla de tamaños de tuberías. Para instalaciones de equipos a una distancia de más de 30 metros del agua, el tamaño de la tubería recomendada se debe aumentar al tamaño siguiente.
- Las bombas están equipadas con uniones tanto en la boca de succión como en la boca de descarga. Esta característica simplifica la instalación y el servicio y elimina la posibilidad de fugas en los adaptadores roscados.

Table 1. Dimensiones de tuberías PVC 40

Tamaño de la tubería	Flujo máximo de succión (6 pies (1,8 m) por segundo)	Flujo máximo de descarga (8 pies (2,4 m) por segundo)
1½" (38 mm)	37 GPM (140 LPM)	50 GPM (189 LPM)
2" (51 mm)	62 GPM (235 LPM)	85 GPM (322 LPM)

2½" (64 mm)	88 GPM (333 LPM)	120 GPM (454 LPM)
3" (76 mm)	136 GPM (515 LPM)	184 GPM (697 LPM)
4" (102 mm)	234 GPM (886 LPM)	313 GPM (1185 LPM)

4. La bomba debe conectarse con al menos (2) drenajes principales hidráulicamente balanceados (bocas de succión), para cada línea de succión de la bomba. Cada montaje de drenaje (boca de succión) debe estar provisto de tapas y debe cumplir con la última edición publicada de la norma ANSI®/ASME® A112.19.8 o norma sucesora, ANSI/APSP-16. Los aditamentos de succión de los drenajes principales deben colocarse al menos a (3) pies (1 m) de distancia o en diferentes planos. Los aditamentos de succión pueden ser un drenaje y un drenaje de espuma, dos (2) drenajes, dos (2) drenajes de espuma, o un drenaje de espuma con una línea de igualación instalada. Compruebe en los códigos locales los requisitos de una instalación correcta.

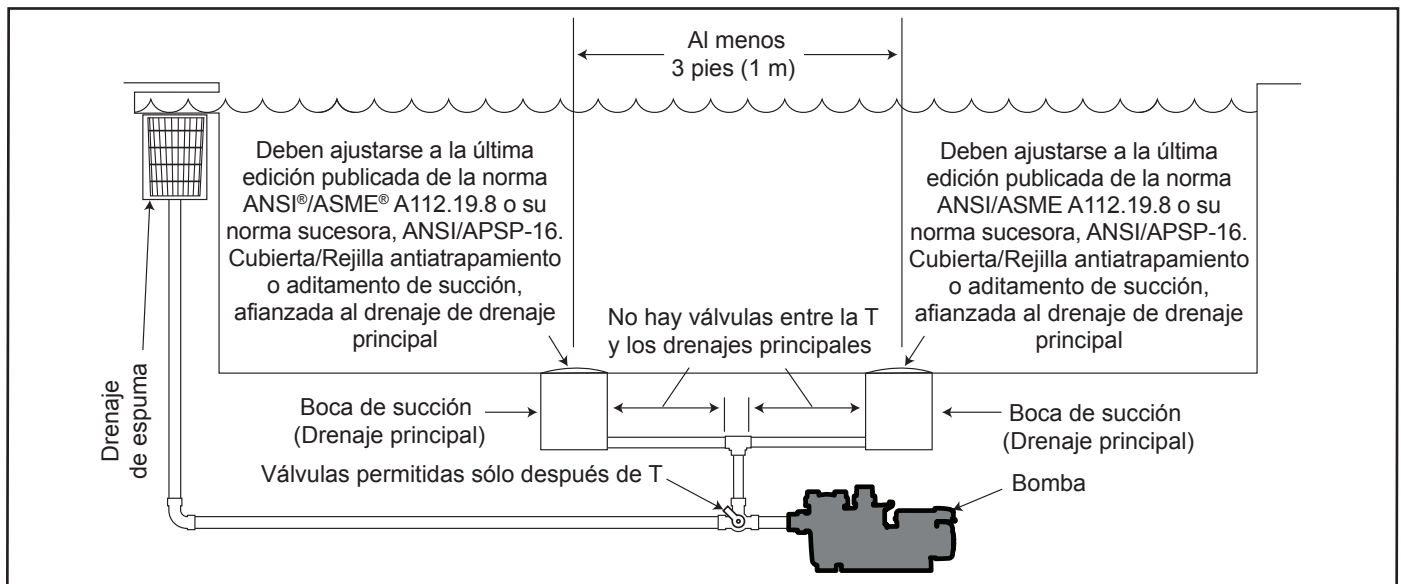


Figura 3. Número de bocas de succión por bomba

NOTE: Para evitar el atrapamiento, el sistema debe ser construido de manera que no pueda funcionar en caso de que la bomba retire agua solamente de un (1) drenaje principal. Por lo menos dos (2) drenajes principales deben estar conectados a la bomba cuando esté en funcionamiento. Sin embargo, si dos (2) drenajes principales llegan a una sola línea de succión, esta línea de succión individual puede ser equipada con una válvula que cerrará los dos drenajes principales de la bomba.

5. La tubería debe estar bien apoyada y no puede forzarse en los puntos de estrés constante.
6. Siempre use válvulas del tamaño correcto. Las válvulas de desviación serie Pro de Jandy y las válvulas de bola tienen típicamente las mejores capacidades de flujo.
7. Use la menor cantidad de aditamentos posibles.

NOTA Si se necesitan más de diez aditamentos de succión, el tamaño de la tubería debe aumentarse.

8. Cada nueva instalación debe someterse a una prueba de presión de acuerdo a los códigos locales.

3.2 Instalación eléctrica

3.2.1 Pruebas de voltaje

El voltaje correcto, como se especifica en la placa de la bomba es necesario para un funcionamiento adecuado y una larga vida del motor. Un voltaje incorrecto disminuirá el desempeño de la bomba y podría causar sobrecalentamiento, reduciendo la vida útil del motor y resultando en cuentas eléctricas más altas.

Es responsabilidad del instalador eléctrico a proporcionar el voltaje correcto por garantizando los tamaños adecuados de circuito y de cable para esta aplicación específica.

El National Electrical Code® (NEC®, NFPA-70) requiere que todos los circuitos de bomba de la piscina estén protegidos con un interruptor de falla a tierra (GFCI). Por lo tanto, también es responsabilidad del instalador eléctrico asegurarse de que el circuito de la

bomba esté en el cumplimiento de éste y todos los demás requisitos aplicables del Código Eléctrico Nacional (NEC) y otros códigos aplicables a la instalación.

⚠ PRECAUCIÓN

No proporcionar el voltaje indicado en placa (dentro de un 10%) durante la operación causará que el motor se sobrecaliente y anulará la garantía.

3.2.2 Conexiones eléctricas y puesta a tierra

1. Además de establecer la conexión a tierra y según los requerimientos del National Electrical Code (NEC) de Estados Unidos, o en Canadá el Canadian Electrical Code (CEC), el motor de la bomba debe estar conectado a todas las partes de metal de la piscina, spa o tina de hidromasaje y a todos los componentes eléctricos y equipos asociados con el sistema de circulación de agua de la piscina/spa.
2. Las conexiones eléctricas y puesta a tierra deben realizarse mediante un conductor de cobre sólido

n.º 8 AWG o más grande. En Canadá se debe utilizar el n.º 6 AWG o más grande. Conectar el motor utilizando la lengüeta puesta a masa provista en el marco del motor.

⚠ ADVERTENCIA

Siempre desconecte la fuente de alimentación antes de trabajar en un motor o su carga conectada.

⚠ ADVERTENCIA

Asegúrese de que el interruptor de control, reloj de tiempo, o el sistema de control estén instalados en un lugar accesible, de modo que en el caso de una falla del equipo o de tuberías, el equipo pueda ser apagado fácilmente. Este lugar debe ser un lugar distinto a donde se encuentra la bomba de la piscina, filtros y otros equipos.

⚠ PRECAUCIÓN

La bomba debe estar permanentemente conectada a un circuito eléctrico dedicado. Ningún otro equipo, luces, electrodomésticos, o tomas pueden estar conectados al circuito de la bomba, con la excepción de los productos que pueden ser necesarios para operar simultáneamente con la bomba, como un dispositivo de cloración o de calefacción.

3.2.3 Cableado eléctrico

1. El motor de la bomba debe ser puesto a tierra adecuadamente y de forma segura con el tornillo verde proporcionado. Complete el aterramiento antes de conectar al suministro de energía eléctrica. **No conecte a tierra usando una tubería de suministro de gas.**

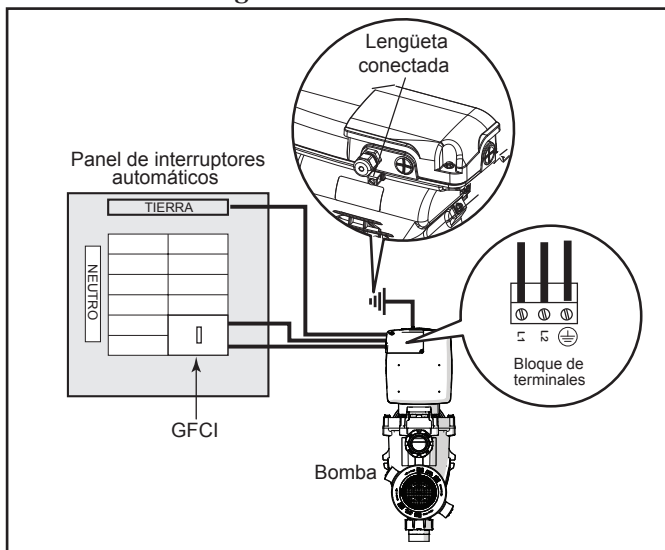


Figura 4. Conexión del motor

2. El tamaño del cable debe ser adecuado para minimizar la caída de tensión durante el arranque y funcionamiento de la bomba.
3. Aísle todas las conexiones con cuidado para evitar cable a tierra o cortocircuitos. Los bordes afilados en los terminales requieren protección extra. Por razones de seguridad, y para evitar la entrada de contaminantes, reinstale todos los conductos y tapas

de la caja de terminales. **No fuerce las conexiones en la caja de conexiones.**

3.2.4 Opciones del controlador

La bomba puede ser operada por uno (1) de cuatro (4) controladores: el controlador de velocidad variable JEP-R, el AquaLink RS, el AquaLink PDA o el AquaLink Z4.

La bomba se comunica con los controladores a través de una interfaz de cuatro alambres RS-485.

NOTA Ya que la bomba es operada por un controlador exterior, la bomba no se encenderá hasta que se encienda con uno de estos controladores.

3.2.4.1 Para instalar un controlador AquaLink®

La bomba VS PlusHP puede ser operado por los siguientes controladores Aqualink:

- AquaLink RS (Rev O or later)
- AquaLink PDA (Rev 4.0 or later)
- AquaLink Z4

1. Corte la corriente para desconectar los cables de alto voltaje o abriendo cualquier interruptor de energía al cual esté conectada.

⚠ ADVERTENCIA

RIESGO DE CHOQUE ELÉCTRICO

Apague todos los interruptores y el interruptor principal en el circuito eléctrico de la bomba de velocidad variable antes de iniciar el procedimiento. El incumplimiento de esta recomendación puede causar un riesgo de electrocución, que puede dar como resultado lesiones personales severas e incluso la muerte.

2. los interruptores 1 y 2 necesita estar en la posición "OFF" (apagado) Véase Figure "Figura 5. Cableado AquaLink RS, PDA or Z4".
3. Seleccione las direcciones deseadas para estableciendo los interruptores DIP 3 y / o 4, como se muestra en "Table 2. Dip Switch Settings"
4. Desconecte el cable RS-485 del cabezal de 4 pines de la unidad de la bomba.

NOTA: No corte el cable o perderá la capacidad de volver a la configuración predeterminada de fábrica.

5. Conecte el cable nuevo RS-485 del AquaLink a través del aditamento de compresión disponible y pase el cable conductor tetrafilar a través del puerto roscado de la unidad del motor que esté más cerca al conector. Véase "Figura 5. Cableado AquaLink RS, PDA or Z4".
6. Conecte el otro extremo del cable al conector RS-485 en el AquaLink® RS (o tarjeta de interfaz multiplexora), haciendo coincidir los colores de los alambres con las posiciones conector. Véase "Figura 5. Cableado AquaLink RS, PDA or Z4".
7. Restablezca el suministro de energía a la bomba y verifique el funcionamiento del controlador.
8. Consulte el manual correspondiente para configurar y operar las bombas:

- AquaLink RS Manual #6593
- AquaLink PDA Manual #H0572300
- AquaLink Z4 Manual #H0386600.

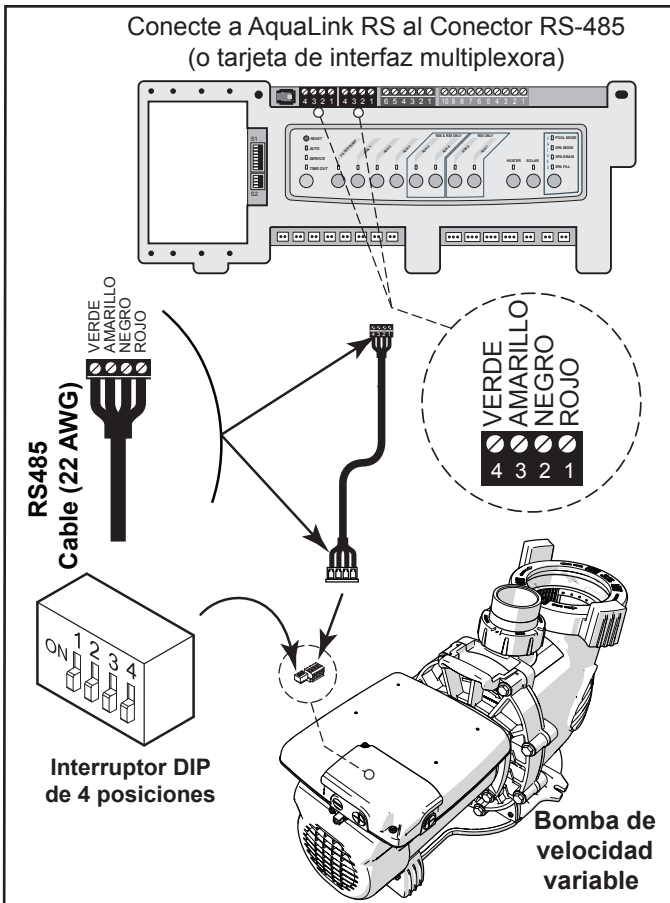


Figura 5. Cableado AquaLink RS, PDA or Z4

3.2.4.2 instalar con el controlador de velocidad variable JEP-R

IMPORTANTE

El instalador debe poner los interruptores 1 y 2 en "ON" (encendido) en la bomba VS-FHP 2.0 cuando se conecta con el controlador de velocidad variable

1. Corte la corriente de la bomba desconectando los cables de alto voltaje o abriendo cualquier interruptor de energía al cual esté conectada.

⚠ ADVERTENCIA

RIESGO DE CHOQUE ELÉCTRICO

Apague todos los interruptores y el interruptor principal en el circuito eléctrico de la bomba de velocidad variable antes de iniciar el procedimiento. El incumplimiento de esta recomendación puede causar un riesgo de electrocución, que puede dar como resultado lesiones personales severas e incluso la muerte.

2. Retire la cubierta de la caja terminal y pase el cable RS-485 por el aditamento.
3. Desconecte el conector RS-485
4. Inserte los cuatro (4) cables del cable RS-485 al conector RS-485. Haga coincidir los colores de los cables con las posiciones del conector. Véase "Figura 6. Cableado del Controlador JEP-R VSP"
5. Inserte el conector RS-485 de nuevo en la caja de conexiones.

6. los interruptores DIP 1 y 2 debe establecerse en la posición "ON" (encendido) y los interruptores 3 y 4 debe establecerse en la posición "OFF" (apagado). Véase "Figura 6. Cableado del Controlador JEP-R VSP"

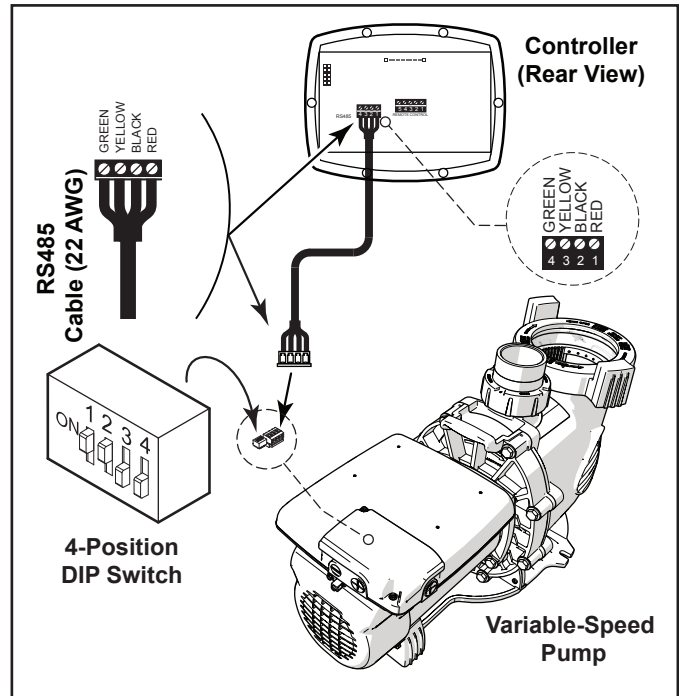


Figura 6. Cableado del Controlador JEP-R VSP

7. Conecte el otro extremo del cable al controlador. Haga coincidir los colores de los alambres con las posiciones del conector apropiado Véase "Figura 6. Cableado del Controlador JEP-R VSP"
8. Restablezca el suministro de energía a la bomba y verifique el funcionamiento del controlador.
9. Consulte el manual del propietario del controlador de velocidad variable, el H0412200, para operar la bomba.

3.2.4.3 Configuración del interruptor DIP

Como se ve en las Figuras 5 y 6 el interruptor DIP posiciones tiene dos (2) funciones: selecciona la dirección de la bomba y determina qué tipo de controlador se puede utilizar con la bomba.

Table 2. Dip Switch Settings

Interruptor 1	Interruptor 2	Controlador
OFF	OFF	Predeterminado de fábrica
OFF	OFF	AquaLink RS, AquaLink PDA o AquaLink Z4
ON	ON	Controlador de velocidad variable

Interruptor 3	Interruptor 4	Dirección de la bomba
OFF	OFF	BOMBA 1 (Predeterminado de fábrica)
ON	OFF	BOMBA 2
OFF	ON	BOMBA 3
ON	ON	BOMBA 4

3.2.5 Operación de carga auxiliar

La VS-FHP2.0 posee una barra terminal que permite que los usuarios accedan a un contacto de relé de carga auxiliar incorporado. Este contacto, generalmente abierto y seco, se activa bajo ciertas condiciones de operación y se utiliza principalmente para controlar dispositivos externos que requieren el caudal de agua del sistema para funcionar adecuadamente, tales como calentadoras, bombas de reforzador, clorinadores de agua salada, etc. Véanse Figuras 5 y 6 para obtener más detalles sobre la ubicación del compartimento. Antes de proceder, se debe retirar la cubierta de acceso con tornillo Phillips.

3.2.5.1 Requisitos de conexión de la carga auxiliar

⚠ ADVERTENCIA

RIESGO DE CHOQUE ELÉCTRICO

Debido al riesgo potencial de incendio, choque eléctrico o lesiones corporales, las bombas Zodiac® se deben instalar de acuerdo con el National Electrical Code® (NEC®), todos los códigos locales eléctricos y de seguridad, y la Ley de Seguridad y Salud Ocupacional (OSHA). Pueden solicitarse copias del código NEC a la National Fire Protection Association, 470 Atlantic Ave., Boston, MA 02210, o en la agencia gubernamental de inspección que corresponda.

En Canadá, las bombas Zodiac deben instalarse de acuerdo con el Canadian Electrical Code (CEC).

Los contactos de relé de la carga auxiliar están clasificados como 230V/11A RMS. Asegúrese de que los elementos del equipo que deben conectarse a la carga auxiliar no superen esta clasificación.

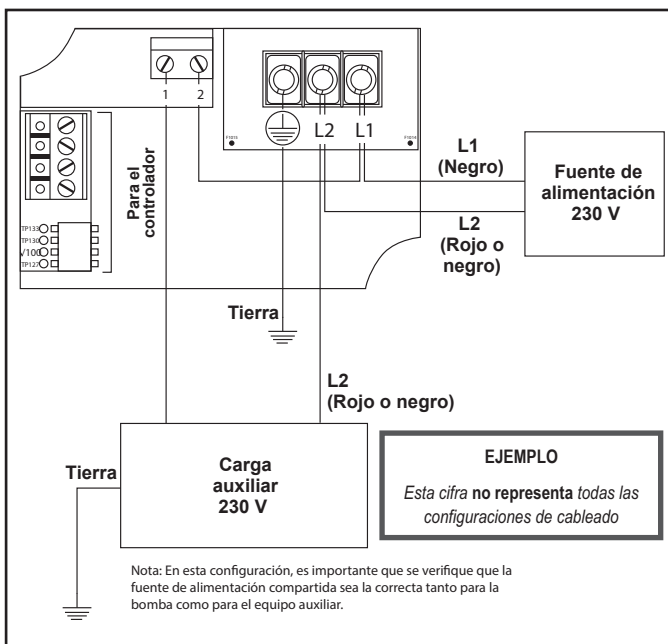


Figura 7. Diagrama de cableado de fuente de alimentación compartida, carga auxiliar de 230 V

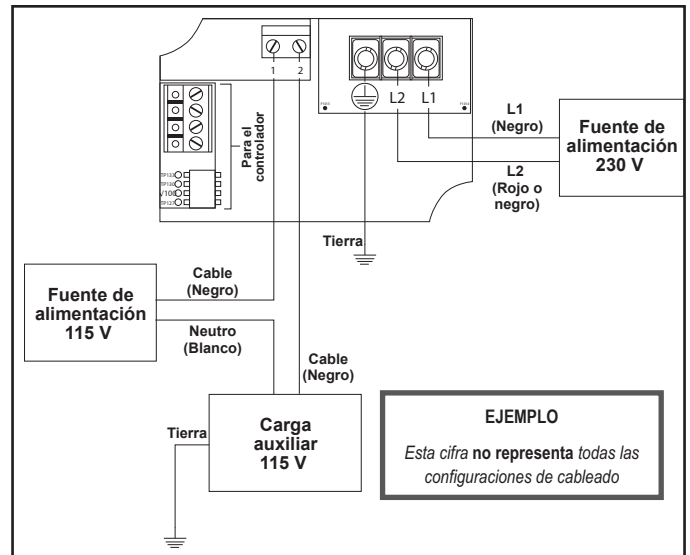


Figura 8. Diagrama de cableado de fuentes de alimentación separadas, carga auxiliar de 115 V

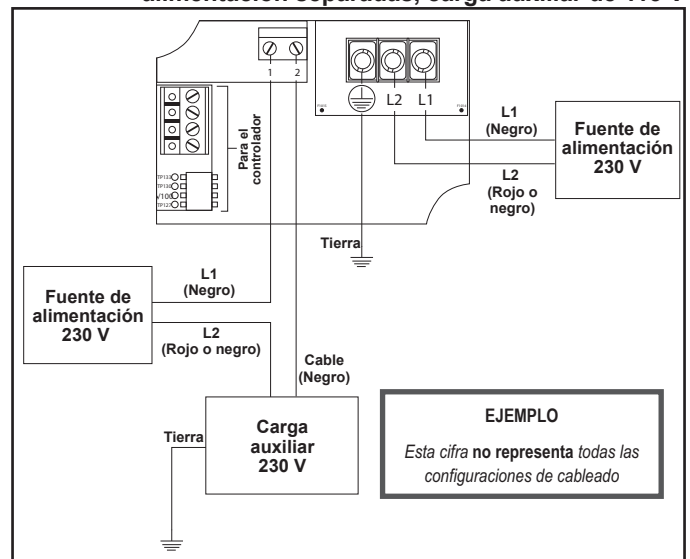


Figura 9. Diagrama de cableado de fuentes de alimentación separadas, carga auxiliar de 230 V

3.2.6 Características de operación de la carga auxiliar

La activación del contacto del relé de la carga auxiliar depende de la velocidad y funciona según se describe a continuación.

3.2.6.1 Cierre del contacto

A partir de un punto de inactividad, existe una demora de tres minutos antes de que el contacto de la carga auxiliar se cierre cuando la velocidad del motor alcanza por lo menos las 1725 RPM y se mantiene.

A partir de un punto de operación a menos de 1725 RPM, existe una demora de cinco segundos antes de que se cierre el contacto de la carga auxiliar cuando el motor alcanza y mantiene por lo menos 1725 RPM.

3.2.6.2 Apertura del contacto

Si la velocidad del motor es menor que 1725 RPM, el contacto de la carga auxiliar se abre. Las aperturas del contacto son siempre inmediatas.

Sección 4. Funcionamiento

4.1 Quite la tapa de la bomba

1. Asegúrese de que la bomba esté apagada.
2. Asegúrese de que el interruptor del disyuntor que acciona el motor de la bomba esté apagado.

⚠ ADVERTENCIA

RIESGO DE CHOQUE ELÉCTRICO

Apague todos los interruptores y el interruptor principal en el circuito eléctrico de la bomba de velocidad variable antes de iniciar el procedimiento. El incumplimiento de esta recomendación puede causar un riesgo de electrocución, que puede dar como resultado lesiones personales severas e incluso la muerte.

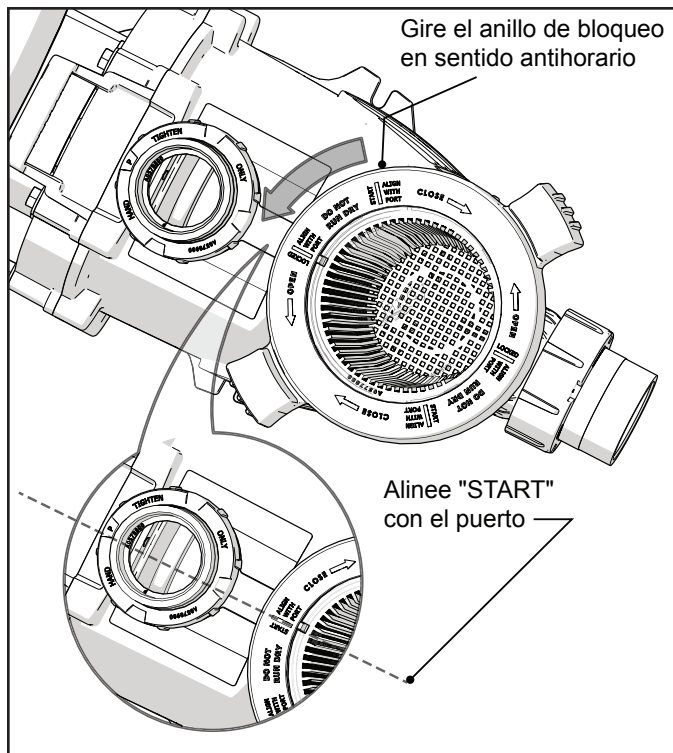


Figura 10. Suelte el anillo de bloqueo

⚠ ADVERTENCIA

RIESGO DE CHOQUE ELÉCTRICO

Debido al riesgo potencial de incendio, choque eléctrico o lesiones corporales, las bombas Zodiac® se deben instalar de acuerdo con el National Electrical Code® (NEC®), todos los códigos locales eléctricos y de seguridad, y la Ley de Seguridad y Salud Ocupacional (OSHA). Pueden solicitarse copias del código NEC a la National Fire Protection Association, 470 Atlantic Ave., Boston, MA 02210, o en la agencia gubernamental de inspección que corresponda.

En Canadá, las bombas Zodiac deben instalarse de acuerdo con el Canadian Electrical Code (CEC).

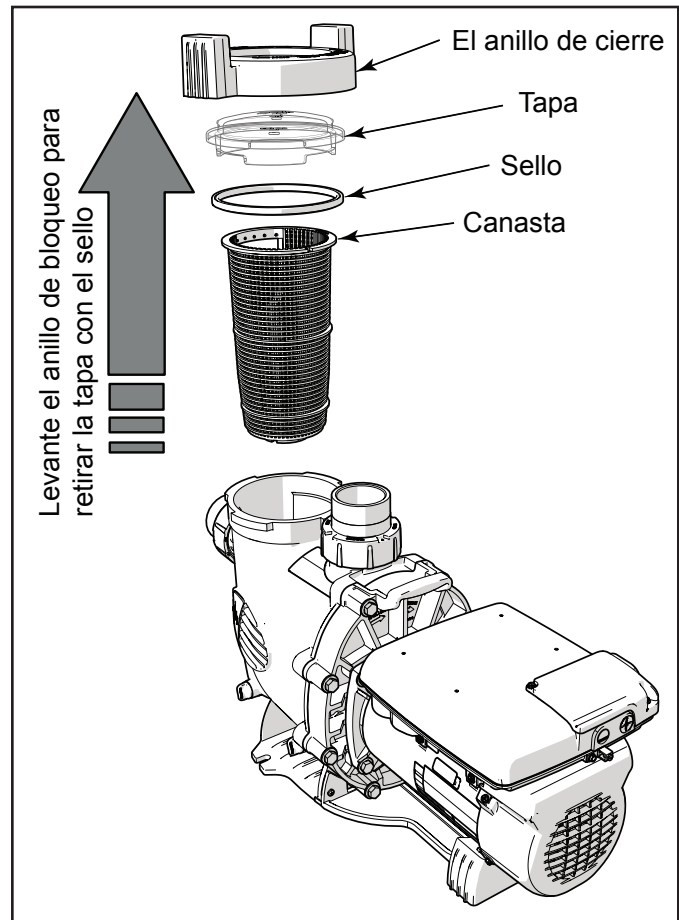


Figura 11. Retire la tapa de la bomba

3. Asegúrese de que todas las válvulas de aislamiento necesarias estén cerradas para evitar que el agua de la piscina llegue a la bomba. Si la bomba se instala debajo del nivel del agua, asegurar que todas las válvulas de aislamiento necesarios están cerradas para evitar que el agua de la piscina de llegar a la bomba.
4. Siguiendo las marcas en el anillo de cierre, gire el anillo de bloqueo hacia la izquierda hasta que la marca 'START' ('arranque') se alinee con los orificios. Véanse "Figura 10. Suelte el anillo de bloqueo"
5. Ascensor con cuidado la tapa con anillo de cierre.

4.2 Realice una prueba de presión

⚠ ADVERTENCIA

Cuando se presuriza un sistema con agua para probarlo, a menudo queda aire atrapado en el sistema durante el proceso de llenado. Este aire se comprime cuando el sistema está bajo presión. En caso de fallo del sistema, el aire atrapado puede disparar partículas a gran velocidad y causar lesiones. Se deben hacer todos los esfuerzos posibles para eliminar el aire atrapado durante el llenado de la bomba, incluido abrir la válvula de purga del filtro y aflojar la tapa de la canasta de la bomba.

⚠ ADVERTENCIA

El aire atrapado en el sistema puede ocasionar la expulsión de la tapa del filtro, lo que puede causar lesiones serias e incluso la muerte o daño a la propiedad. Asegúrese de que todo el aire haya sido correctamente purgado fuera del sistema antes de operar. **NO USE AIRE COMPRIMIDO PARA HACER PRUEBAS DE PRESIÓN O COMPROBAR SI HAY FUGAS.**

⚠ ADVERTENCIA

RIESGO DE CHOQUE ELÉCTRICO

Apague todos los interruptores y el interruptor principal en el circuito eléctrico de la bomba de velocidad variable antes de iniciar el procedimiento. El incumplimiento de esta recomendación puede causar un riesgo de electrocución, que puede dar como resultado lesiones personales severas e incluso la muerte.

⚠ ADVERTENCIA

Cuando se realice la prueba de presión del sistema con agua, es muy importante asegurarse de que la tapa de la canasta de la bomba esté completamente segura.

1. Llene el sistema con agua, teniendo cuidado de eliminar el aire atrapado.
2. Presurice el sistema con agua a no más de **35 psi**.
3. Cierre la válvula para atrapar agua presurizada en el sistema.
4. Observe el sistema con cuidado para detectar fugas y/o caídas de presión.

4.3 Arranque

⚠ PRECAUCIÓN

Nunca haga funcionar la bomba sin agua. Hacer funcionar la bomba "en seco" por cualquier cantidad de tiempo puede causar graves daños a la bomba y al motor y anulará la garantía.

Si se trata de una piscina nueva, asegúrese de que toda la tubería esté libre de los residuos de construcción y que haya sido debidamente probada a presión. El filtro debe ser revisado para su correcta instalación, comprobando que todas las conexiones y abrazaderas estén aseguradas de acuerdo a las recomendaciones del fabricante.

⚠ ADVERTENCIA

Para evitar el riesgo de daños a la propiedad, lesiones personales graves o la muerte, verifique que la alimentación eléctrica esté apagada antes de iniciar este procedimiento.

1. Descargue toda la presión del sistema y abra la válvula de alivio de presión del filtro.

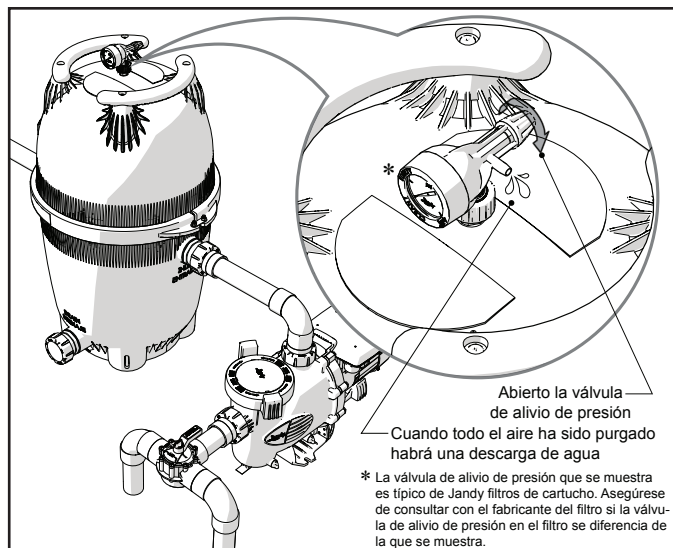


Figura 12. Purgar el aire del sistema

2. Haga una de las siguientes cosas:
 - a. Si la bomba se encuentra por debajo del nivel del agua de la piscina, abra la válvula de alivio de presión del filtro para cebar la bomba con agua.
 - b. Si la bomba se encuentra por encima del nivel del agua de la piscina, retire la tapa y llene la canasta con agua antes de arrancar la bomba.
3. Antes de sustituir la tapa, compruebe si hay residuos alrededor de la tapa del asiento de la junta tórica. Los residuos alrededor de la tapa del asiento de la junta tórica harán penetrar el aire en el sistema y dificultarán el cebado de la bomba.
4. Apriete a mano la tapa para propiciar un sello hermético. No utilice ninguna herramienta para apretar la tapa: sólo apriete a mano. Asegúrese de que todas las válvulas estén abiertas y las uniones estén apretadas.
5. Restablezca el suministro eléctrico a la bomba y después encienda la.
6. Una vez que todo el aire haya salido del filtro, cierre la válvula de alivio de presión.
7. Si la bomba no se ceba y todas las instrucciones se han seguido hasta este punto, revise si hay una fuga de succión. Si no hay fugas, repita los pasos del 2 al 7.
8. Para obtener asistencia técnica, llame al Soporte Técnico de Zodiac® 1.800.822.7933.

Sección 5. Mantenimiento

5.1 Mantenimiento de rutina

⚠ PRECAUCIÓN

Para evitar que se dañe el plástico, no use lubricante o sellador en la junta tórica. Solo se puede usar agua jabonosa para instalar y lubricar la junta tórica.

Inspeccionar la canasta de residuos de la bomba mirando a través de la tapa transparente. Elimine todos los residuos, ya que a medida que los residuos se acumulan, comenzarán a bloquear el flujo de agua a través de la bomba. Mantener la canasta limpia para mejorar el rendimiento de la bomba.

1. Apague la alimentación eléctrica de la bomba. Si la bomba se encuentra por debajo del nivel del agua, cierre las válvulas de aislamiento en los lados de succión y descarga de la bomba para evitar el reflujos de agua.
2. Gire el anillo de cierre de la tapa hacia la izquierda hasta que “START” se alinee con los orificios. Retire la tapa cuidadosamente.

⚠ PRECAUCIÓN

Una cesta desalineada hará que la tapa no quede correctamente asentada, permitiendo fugas de aire que podrían resultar en daños a la bomba.

3. Levante la canasta de la bomba. Deseche los residuos y limpie a fondo la canasta, asegurándose de que todos los orificios estén abiertos. Usando una manguera de jardín, rocíe la canasta desde afuera para ayudar a limpiar los orificios. Elimine todos los residuos restantes con la mano
4. Vuelva a colocar la canasta de la bomba mediante la alineación de la abertura con el tubo de succión. Si está alineada correctamente, la canasta caerá fácilmente en su lugar. **No la fuerce.**
5. Retire la junta de la tapa y elimine cualquier residuo que haya alrededor de su asiento, ya que esto puede permitir que el aire penetre en el sistema. Limpie el sello de la tapa y colóquela de nuevo.

NOTA Asegúrese de que la junta de la tapa esté correctamente orientada.

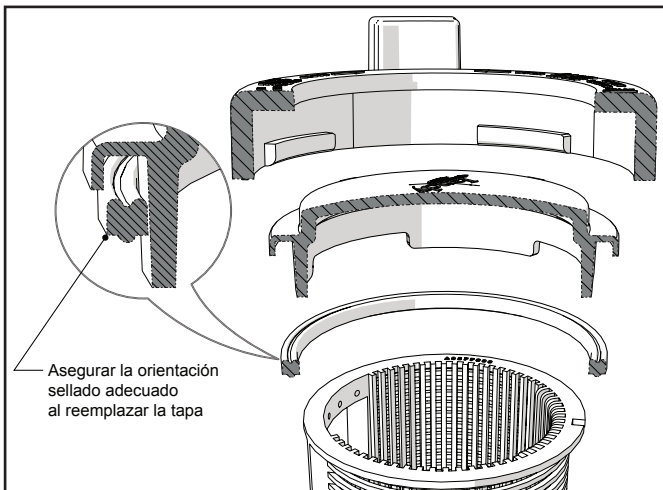


Figura 13. Coloque de nuevo la tapa y sello

6. Vuelva a colocar la tapa con anillo de cierre. Alinear ‘START’ de los puertos y girar anillo de bloqueo hacia la derecha de la tapa hasta ‘LOCKED’ se alinea con los puertos. **Apriete a mano** la tapa para hacer un sello hermético. **No utilice ninguna herramienta** para apretar la tapa.
7. Verifique que todas las válvulas hayan regresado a la posición adecuada para el funcionamiento normal.
8. Abra la válvula de alivio de presión en el filtro, y asegúrese de que esté limpio y listo para funcionar
9. Encienda la alimentación eléctrica de la bomba. Una vez que todo el aire haya salido del filtro, cierre la válvula de alivio de presión.

5.2 Preparación para el invierno

⚠ PRECAUCIÓN

La bomba **debe protegerse** cuando se anticipen temperaturas de congelación. Permitir que la bomba se congele causará daños graves y anulará la garantía.

⚠ PRECAUCIÓN

No use soluciones anticongelantes en los sistemas de piscina, spa, o jacuzzi. El anticongelante es altamente tóxico y puede dañar el sistema de circulación. La única excepción a esto es el propilenglicol. Para más información, consulte en su tienda proveedora de artículos de piscina/spa o póngase en contacto con una empresa calificada de servicios de piscina.

1. Drene toda el agua de la bomba, el equipo del sistema y las tuberías.
2. Retire los dos (2) tapones de drenaje. Almacene los tapones de drenaje en un lugar seguro y reinstálelos cuando la temporada de frío haya terminado. **Asegúrese de que no se pierdan los anillos tóricos de los tapones de drenaje.**
3. Mantenga el motor cubierto y seco. No cubra la bomba con plástico, esto creará condensación que puede dañarla.

NOTA Zodiac Pool Systems, Inc. recomienda que un técnico de servicio calificado o un electricista desconecte correctamente el cableado eléctrico Haga una de las siguientes cosas: en la caja terminal. Una vez que se retire la electricidad, afloje las dos (2) uniones y almacene la bomba bajo techo. Por razones de seguridad, y para evitar la entrada de contaminantes, reinstale todos los conductos y tapas de la caja de terminales.

4. Cuando el sistema se vuelva a abrir para su funcionamiento, llame a un técnico calificado o un electricista para que se asegure de que todas las tuberías, válvulas, cableado y el equipo estén de acuerdo con las recomendaciones del fabricante. Preste mucha atención a las conexiones eléctricas y el filtro.
5. La bomba debe ser cebada antes de comenzar. Véase la Sección “4.3 Arranque”

Sección 6. Localización de averías y reparación

Zodiac® le recomienda que llame a un técnico calificado para realizar cualquier reparación en el sistema de filtro/bomba. Para localizar a un técnico calificado, consulte las páginas amarillas o visite www.zodiacpoolsystems.com. y haga clic sobre “Buscar distribuidor”

Síntoma	Posible causa y solución
Flujo reducido que se devuelve a la piscina y/o menos de agua que se extrae por skimmer	<p>Verifique que las canastas de rebose, cesta de la bomba y otras pantallas estén limpias. Límpielas de ser necesario. Revise el filtro y límpielo de ser necesario.</p> <p>Revise las posiciones de la válvula. Ajústelas de ser necesario.</p> <p>NOTA Múltiples equipos funcionando a la vez (por ejemplo, cascadas, chorros de spa y retornos superficiales) afectarán el funcionamiento correcto del sistema de limpieza.</p> <p>Consulte el manual del sistema de limpieza para asegurarse de que el sistema se ajuste a las recomendaciones del fabricante.</p>
Hay burbujas en la canasta de la bomba.	<p>Hay aire en el sistema. Compruebe el nivel de agua de la piscina o spa para asegurarse de que esté en el nivel apropiado y no se esté introduciendo aire en la tubería de succión. Si el agua está en el nivel normal, apague la bomba.</p> <p>Gire el anillo de cierre de la tapa hacia la izquierda hasta que la marca "START" (arranque) se alinee con los orificios. Retire la tapa y vea si hay residuos alrededor del asiento de la junta de la tapa. O si la junta de la tapa no está bien instalada, ya que cualquiera de esas condiciones permitirá que el aire penetre en el sistema. Limpie la junta y vuelva a colocarla en la tapa. Vuelva a colocar la tapa en la carcasa de la bomba. Alinee "START" (arranque) con los orificios y gire el anillo de bloqueo hacia la derecha hasta que la marca "LOCKED" (bloqueado) se alinee con los orificios.</p> <p>Apriete a mano la tapa para hacer un sello hermético. No utilice ninguna herramienta para apretar la tapa.</p> <p>Encienda la bomba de nuevo.</p>
Las fugas de aire persisten.	<p>Compruebe la unión del lado de succión de la tubería. Con la bomba en funcionamiento, trate de apretar la unión. Si esto no detiene la fuga de aire, apague la bomba. Afloje ambas uniones y quite la bomba deslizándola. Extraiga, limpie y vuelva a instalar tanto la unión como la junta tórica.</p> <p>Vuelva a colocar la bomba al lado de la tubería y asegure las tuercas de unión a la bomba. Con las juntas tóricas de unión limpias, el apretado manual será suficiente para crear el sello. Si las uniones aún no sellan, apriete suavemente con un alicate extensible.</p> <p>No apriete demasiado.</p>
No hay aire en el sistema, pero la presión sigue siendo baja.	<p>Es posible que haya residuos atrapados en el impulsor de la bomba. El impulsor de la bomba mueve el agua y las paletas de la turbina pueden bloquearse con residuos. Véase la Sección 6.1, <i>Servicio técnico de mantenimiento e impulsor bloqueado</i>, en este manual para mayor información.</p>

Síntoma	Posible causa y solución
No hay residuos en el impulsor y la presión aún es baja.	<p>El impulsor de la bomba y el difusor están mostrando señales de desgaste normal. Permita que un técnico de servicio calificado revise el impulsor y el difusor y los reemplace si es necesario.</p> <p>Si la bomba es parte de una instalación relativamente nueva, podría ser un problema eléctrico. Contacte a un técnico calificado. Permita que el técnico verifique si hay conexiones eléctricas sueltas y que compruebe el voltaje en el motor con la bomba en funcionamiento. El voltaje debe estar dentro del 10% de los datos indicados en su placa de datos. Si el voltaje no está dentro del 10%, comuníquese con un electricista calificado y/o el proveedor del servicio eléctrico local.</p> <p>El sello de la bomba tiene fugas de aire. Permita que un técnico de servicio calificado reemplace el sello.</p>
La bomba tiene una fuga de agua entre el motor y el cuerpo de la bomba.	<p>Esto es causado por un sello mecánico dañado. Sustituya el sello.</p>
La bomba se calienta y se apaga de forma periódica.	<p>Asegúrese de que haya suficiente espacio alrededor del motor para que el aire circule y mantenga fresco el motor. Permita que el técnico verifique si hay conexiones eléctricas sueltas y que compruebe el voltaje en el motor con la bomba en funcionamiento. El voltaje debe estar dentro del 10% de los datos indicados en su placa de datos. Si el voltaje no está dentro del 10%, comuníquese con un electricista calificado y/o el proveedor del servicio eléctrico local.</p>

Síntoma	Posible causa y solución
La bomba no arranca.	No hay energía hacia la bomba. Asegúrese de que la bomba esté correctamente conectada a alta tensión. Véase la Sección 3.2, <i>Instalación eléctrica</i> , en este manual.
	Cableado inadecuado de bajo voltaje. Revise si hay cableado de bajo voltaje entre la bomba y el controlador. Corríjalo si es necesario. Véase la Sección 3.2, <i>Instalación eléctrica</i> , en este manual.
	Colocación incorrecta de la dirección de la bomba. Asegúrese de que los interruptores DIP 3 y 4 de la bomba se hayan configurado correctamente para la instalación. Ambos deben estar en "OFF" (apagado) para su uso con el controlador de velocidad variable o configurados en la dirección correcta cuando se conectan a un controlador AquaLink® RS, un AquaLinkPDA o un AquaLink Z4. Véase la Sección 3.3, <i>Configuración de los interruptores DIP de la bomba VS-FHP</i> , en este manual. Nota: La VS-FHP1.0 siempre debe tener la configuración 5 del interruptor DIP establecida en "ON" (encendido) para ambos controladores.
	Hay una condición de falla. Vea el mensaje de error en el controlador y corrija la falla antes de continuar. Si no tiene certeza de cómo corregir la falla, contacte al Soporte Técnico de Zodiac® llamando al número 800.822.7933 en EEUU. En Canadá, llame al número 1-888-647-4004.

Síntoma	Posible causa y solución
La pantalla LCD del controlador de velocidad variable no muestra la información o Las lucecitas de la bomba no están encendidas.	Regulación incorrecta de los interruptores DIP. Asegúrese de que ambos interruptores DIP 1 y 2 estén en "ON" (encendido) si el controlador es JEP-R y que ambos interruptores DIP 1 y 2 estén en "OFF" (apagado) si el controlador es un PDA, un AquaLink RS o un AquaLink Z4. Véase la Sección 3.3, <i>Configuración de los interruptores DIP de la bomba VS-FHP</i> , en este manual. Nota: La VS-FHP1.0 siempre debe tener la configuración 5 del interruptor DIP establecida en "ON" (encendido) para ambos controladores.
	Cableado inadecuado de bajo voltaje. Revise si hay cableado de bajo voltaje entre la bomba y el controlador. Corríjalo si es necesario. Véase la Sección 3.2, <i>Instalación eléctrica</i> , en este manual.
El controlador indica "Pump not connected" ("Bomba no conectada").	Cableado inadecuado de bajo voltaje. Revise si hay cableado de bajo voltaje entre la bomba y el controlador. Corríjalo si es necesario. Véase la Sección 3.2, <i>Instalación eléctrica</i> , en este manual.
	Colocación incorrecta de la dirección de la bomba. Asegúrese de que los interruptores DIP 3 y 4 de la bomba se hayan configurado correctamente para la instalación. Ambos deben estar en "OFF" (apagado) para su uso con el controlador de velocidad variable o configurados en la dirección correcta cuando se conectan a un controlador AquaLink RS, un AquaLink PDA o un AquaLink Z4. Véase la Sección 3.3, <i>Configuración de los interruptores DIP de la bomba VS-FHP</i> , en este manual. Nota: La VS-FHP1.0 siempre debe tener la configuración 5 del interruptor DIP establecida en "ON" (encendido) para ambos controladores.
Aparece un mensaje de error en la pantalla del controlador.	Hay una condición de falla. Vea el mensaje de error en el controlador y corrija la falla antes de continuar. Si no tiene certeza de cómo corregir la falla, póngase en contacto con el Soporte Técnico de Zodiac llamando al número 800.822.7933 en EEUU. En Canadá, llame al número 1-888-647-4004.

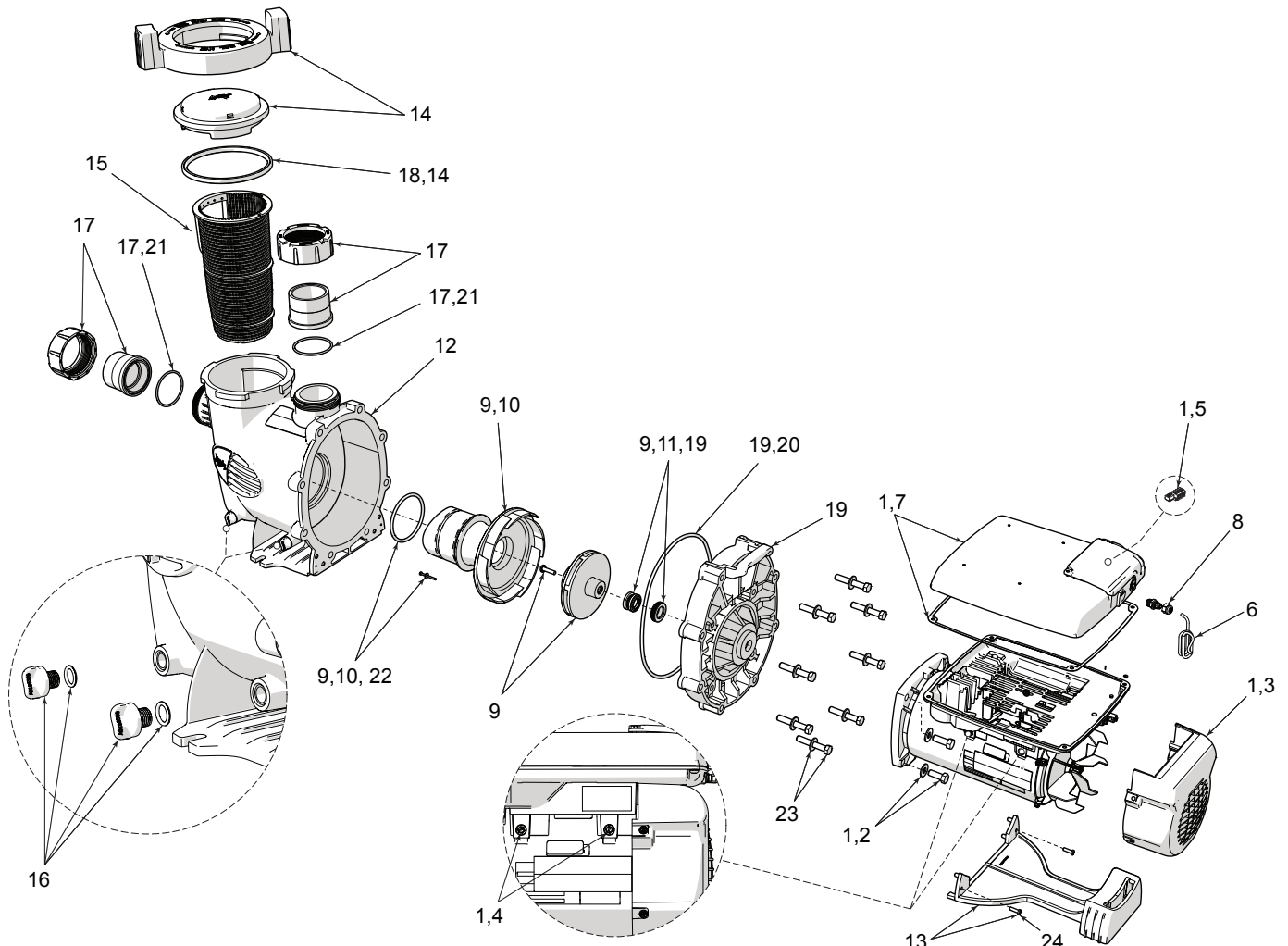
Sección 7. Especificaciones del producto y datos técnicos

7.1 Lista de piezas de repuesto y plano de despiece

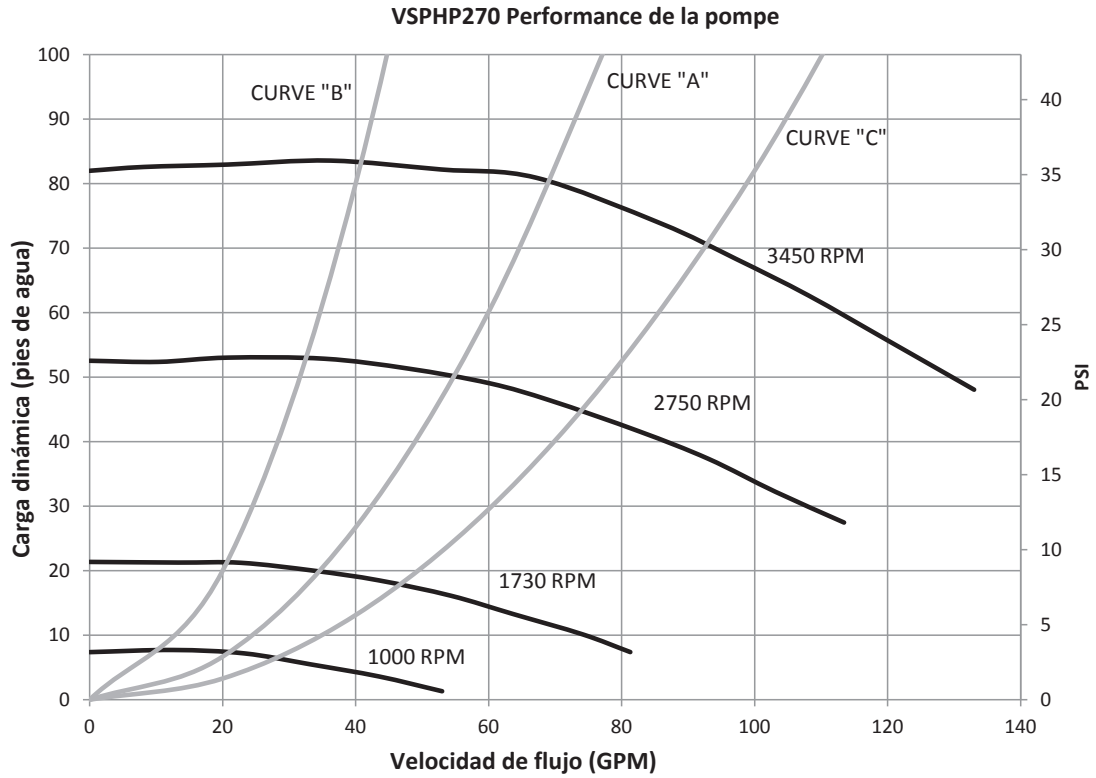
Para ordenar o comprar piezas para las bombas Zodiac®, contacte a su distribuidor Zodiac más cercano. Si el concesionario Zodiac no le puede proporcionar lo que usted necesita, póngase en contacto con Soporte Técnico de Zodiac llamando al teléfono 1.800.822.7933 o envíe un mensaje de correo electrónico a productsupport@zodiac.com.

Key No.	Description	Order Part No.	Key No.	Description	Order Part No.
1	Motor, Unidad	R0562201	13	Base de soporte del motor con herrajes	R0445700
2	Conjunto de herrajes para el motor	R0446700	14	Tapa con anillo de bloqueo y anillo tórico	R0448800
3	Cubierta del ventilador, conjunto de reemplazo de GEN II (herraje, cubierta)	R0562400	15	Bomba de residuos y canasta filtro	R0448900
4	Herrajes del control de velocidad, GEN II	R0562500	16	Tapón de drenaje con anillo tórico	R0446000
5	Conector, control de velocidad (Conector de 4 pines)	R0660900	17	Pieza de cola (2" x 2½") con tuerca de unión y anillo tórico	R0449000
6	Cable, RS485, kit de repuesto	R0535100	18	Junta de la tapa y la junta tórica de la tapa (junta tórica de la tapa no se muestra)	R0449100
7	Cubierta, grande, control de velocidad con junta, GEN II	R0562300	19	Placa posterior, (placa posterior con herrajes, anillo tórico de la placa posterior y sello mecánico)	R0445200
8	Cable de datos, alimentación	R0501100	20	Anillo tórico de la placa posterior	R0446300
9	Impulsor, difusor (impulsor, tornillo con junta tórica)	R0445305	21	Anillo tórico de la pieza de la parte trasera	R0449200
10	Difusor, (con herrajes y anillo tórico)	R0445400	22	Herraje del difusor/impulsor	R0446500
11	Sellos mecánicos de carbón y cerámica	R0479400	23	Herrajes de la placa posterior	R0446600
12	Cuerpo de la bomba	R0448700	24	Herrajes del base de soporte	R0446800

7.2 Exploded View



7.3 Curvas de rendimiento

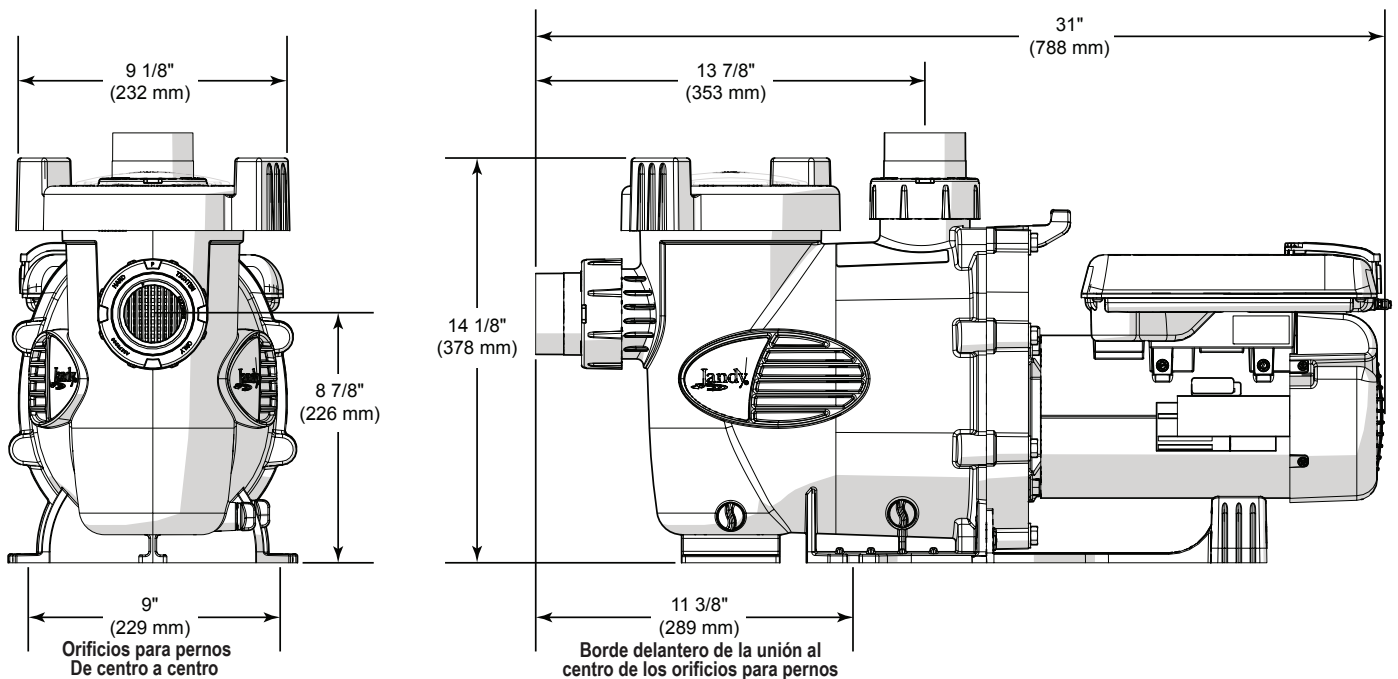


7.4 Especificaciones físicas y operacionales

7.4.1 Especificaciones

N° de modelo	HP	Voltaje	Máximo de vatios	Tamaño de la tubería	Peso de la caja	Longitud total 'A'
VSPHP270	0.25 - 2.7	230 VAC	2,250W	2½ - 3" (63 a 76 mm)	50 lbs.	30 3/8"

7.4.3 PHP Pump Dimensions



NOTES



Intertek

CONFORMS TO UL 1081
CERTIFIED TO CSA C22.2 NO 108



Zodiac Pool Systems, Inc.
2620 Commerce Way, Vista, CA 92081
1.800.822.7933 | www.ZodiacPoolSystems.com



ZODIAC® is a registered trademark of Zodiac International, S.A.S.U., used under license.
All trademarks referenced herein are the property of their respective owners.

©2014 Zodiac Pool Systems, Inc. H0490000 REVC